

Domino Cookers

User Manual

ДОМИНО КОТЛОН

Ръководство за
употреба

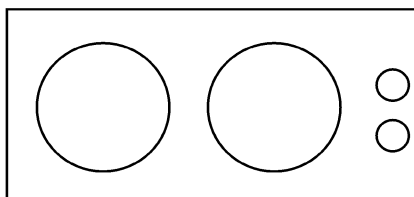
Mini ugradbena grijaća ploča

Korisnički priručnik

Варочная Поверхность Домино

Руководство
пользователя

HDMC32200X



Please read this user manual first!

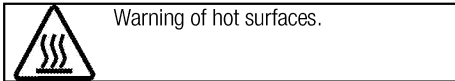
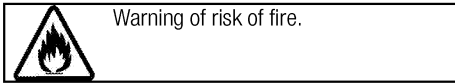
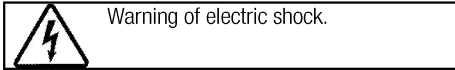
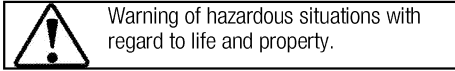
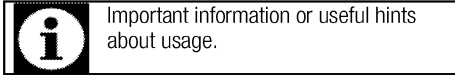
Dear Customer,

Thank you for purchasing this product. We hope that you get the best results from your product which has been manufactured with high quality and state-of-the-art technology. Therefore, please read this entire user manual and all other accompanying documents carefully before using the product and keep it as a reference for future use. If you handover the product to someone else, give the user manual as well. Follow all warnings and information in the user manual.

Remember that this user manual is also applicable for several other models. Differences between models will be identified in the manual.

Explanation of symbols

Throughout this user manual the following symbols are used:



Arçelik A.Ş.
Karaağaç caddesi No:2-6
34445 Sütlüce/İstanbul/TURKEY
Made in TURKEY

CE

This product was manufactured using the latest technology in environmentally friendly conditions.

TABLE OF CONTENTS

1 Important instructions and warnings for safety and environment 4

General safety.....	4
Electrical safety.....	4
Product safety.....	5
Intended use.....	6
Safety for children.....	6
Disposing of the old product.....	6
Package information.....	7

2 General information 8

Overview.....	8
Technical specifications.....	9

3 Installation 10

Before installation.....	10
Installation and connection.....	11
Installation and connection.....	11
Future Transportation.....	12

4 Preparation 13

Tips for saving energy.....	13
Initial use.....	13
First cleaning of the appliance.....	13

5 How to use the hob 14

General information about cooking.....	14
Using the hobs.....	14

6 Maintenance and care 16

General information.....	16
Cleaning the hob.....	16
Cleaning the control panel.....	16

7 Troubleshooting 17

1 Important instructions and warnings for safety and environment

This section contains safety instructions that will help protect from risk of personal injury or property damage. Failure to follow these instructions shall void any warranty.

General safety

- This appliance can be used by children aged from 8 years and above and persons with reduced physical, sensory or mental capabilities or lack of experience and knowledge if they have been given supervision or instruction concerning use of the appliance in a safe way and understand the hazards involved.
Children shall not play with the appliance. Cleaning and user maintenance shall not be made by children without supervision.
- Installation and repair procedures must always be performed by Authorized Service Agents. The manufacturer shall not be held responsible for damages arising from procedures carried out by unauthorized persons which may also void the warranty. Before installation, read the instructions carefully.
- Do not operate the product if it is defective or has any visible damage.

- Control that the product function knobs are switched off after every use.

Electrical safety

- If the product has a failure, it should not be operated unless it is repaired by the Authorized Service Agent. There is the risk of electric shock!
- Only connect the product to a grounded outlet/line with the voltage and protection as specified in the “Technical specifications”. Have the grounding installation made by a qualified electrician while using the product with or without a transformer. Our company shall not be liable for any problems arising due to the product not being earthed in accordance with the local regulations.
- Never wash the product by spreading or pouring water onto it! There is the risk of electric shock!
- never touch the plug with wet hands! Never unplug by pulling on the cable, always pull out by grabbing the plug.
- The product must be unplugged during installation, maintenance, cleaning and repairing procedures.

- If the power connection cable for the product is damaged, it must be replaced by the manufacturer, its service agent or similiary qualified persons in order to avoid a hazard.
- The appliance must be installed so that it can be completely disconnected from the network. The separation must be provided either by a mains plug, or a switch built into the fixed electrical installation, according to construction regulations.
- Any work on electrical equipment and systems should only be carried out by authorized and qualified persons.
- In case of any damage, switch off the product and disconnect it from the mains. To do this, turn off the fuse at home.
- Make sure that fuse rating is compatible with the product.
- Be careful when using alcoholic drinks in your dishes. Alcohol evaporates at high temperatures and may cause fire since it can ignite when it comes into contact with hot surfaces.
- Do not place any flammable materials close to the product as the sides may become hot during use.
- Keep all ventilation slots clear of obstructions.
- Do not use steam cleaners to clean the appliance as this may cause an electric shock.
- Unattended cooking on a hob with fat or oil can be dangerous and may result in fire. NEVER try to extinguish a fire with water, but switch off the appliance and then cover flame e.g. with a lid or a fire blanket.
- Danger of fire: Do not store items on the cooking surfaces.
- If the surface is cracked, switch off the appliance to avoid the possibility of electric shock.
- The appliance is not intended to be operated by means of an external timer or separate remote-control system.
- Vapour pressure that build up due to the moisture on the hob surface or at the bottom of the pot can cause the pot to move. Therefore, make sure that the

Product safety

- The appliance and its accessible parts become hot during use. Care should be taken to avoid touching heating elements. Children less than 8 years of age shall be kept away unless continuously supervised.
- Never use the product when your judgment or coordination is impaired by the use of alcohol and/or drugs.

oven surface and bottom of the pots are always dry.

- Use only hob guards designed by the manufacturer of the cooking appliance or indicated by the manufacturer of the appliance in the instructions for use as suitable or hob guards incorporated in the appliance. The use of inappropriate guards can cause accidents.

For the reliability of the fire of the product;

- Make sure the plug is fitting to socket as well for not cause to spark.
- Do not use damaged or cutted or extension cable except the original cable.
- Make sure that not whether liquid or moisture on the socket is plugged to product .

Intended use

- This product is designed for domestic use. Commercial use will void the guarantee.
- This appliance is for cooking purposes only. It must not be used for other purposes, for example room heating.
- The manufacturer shall not be liable for any damage caused by improper use or handling errors.

Safety for children

- Accessible parts may become hot during use. Young children should be kept away.
- The packaging materials will be dangerous for children. Keep the packaging materials away from children. Please dispose of all parts of the packaging according to environmental standards.
- Electrical products are dangerous to children. Keep children away from the product when it is operating and do not allow them to play with the product.
- Do not place any items above the appliance that children may reach for.

Disposing of the old product

Compliance with the WEEE Directive and Disposing of the Waste Product:



This product complies with EU WEEE Directive (2012/19/EU). This product bears a classification symbol for waste electrical and electronic equipment (WEEE).

This product has been manufactured with high quality parts and materials which can be reused and are suitable for recycling. Do not dispose of the waste product with normal domestic and other wastes at the end of its service life. Take it to the collection

center for the recycling of electrical and electronic equipment. Please consult your local authorities to learn about these collection centers.

Compliance with RoHS Directive:

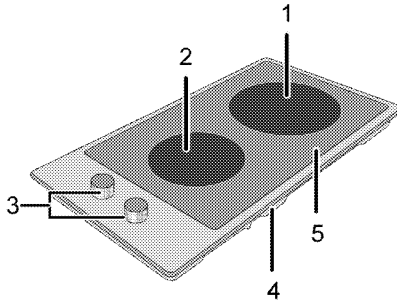
The product you have purchased complies with EU RoHS Directive (2011/65/EU). It does not contain harmful and prohibited materials specified in the Directive.

Package information

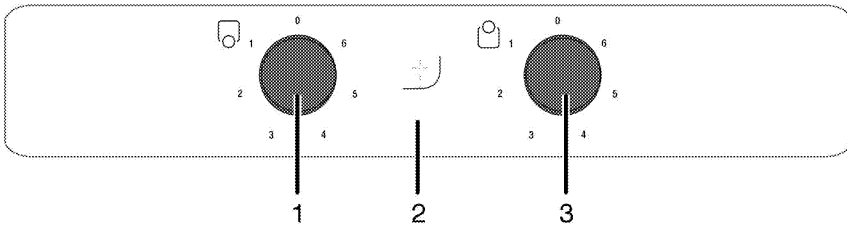
- Packaging materials of the product are manufactured from recyclable materials in accordance with our National Environment Regulations. Do not dispose of the packaging materials together with the domestic or other wastes. Take them to the packaging material collection points designated by the local authorities.

2 General information

Overview



- | | | | |
|---|------------------------------|---|----------------|
| 1 | Single-circuit cooking plate | 3 | Assembly clamp |
| 2 | Control panel | 4 | Base cover |



- | | | | |
|---|------------------------------------|---|-----------------------------------|
| 1 | Single-circuit cooking plate Front | 3 | Single-circuit cooking plate Rear |
| 2 | Hob hot indicator light | | |

Technical specifications

Voltage / frequency	220-240 V ~ 50 Hz
Total power consumption	2.9 kW
Fuse	min. 16 A
Cable type / section	H05RR-FG 3 x 1,5 mm ²
Cable length	max. 2 m
External dimensions (height / width / depth)	75 mm/288 mm/510 mm
Installation dimensions (width / depth)	268 mm/490 mm
Burners	
Front	Single-circuit cooking plate
Dimension	140 mm
Power	1200 W
Rear	Single-circuit cooking plate
Dimension	180 mm
Power	1700 W



Technical specifications may be changed without prior notice to improve the quality of the product.



Figures in this manual are schematic and may not exactly match your product.



Values stated on the product labels or in the documentation accompanying it are obtained in laboratory conditions in accordance with relevant standards. Depending on operational and environmental conditions of the product, these values may vary.

3 Installation

Product must be installed by a qualified person in accordance with the regulations in force. The manufacturer shall not be held responsible for damages arising from procedures carried out by unauthorized persons which may also void the warranty.



Preparation of location and electrical installation for the product is under customer's responsibility.



DANGER:

The product must be installed in accordance with all local electrical regulations.



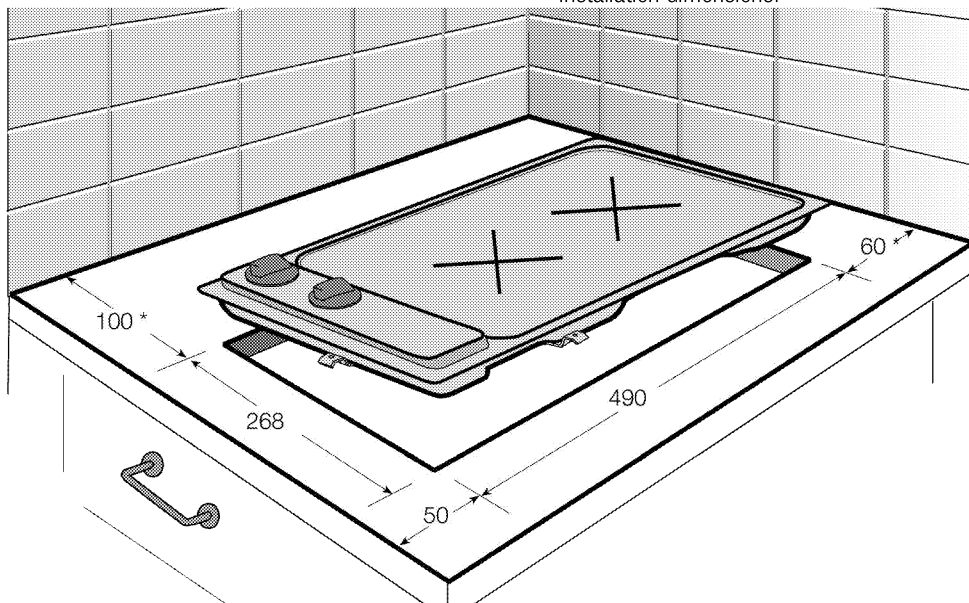
DANGER:

Prior to installation, visually check if the product has any defects on it. If so, do not have it installed.
Damaged products cause risks for your safety.

Before installation

The hob is designed for installation in a commercial worktop. A safety distance must be left between the appliance and the kitchen walls and furniture. See figure (values in mm).

- It can also be used in a free standing position. Allow a minimum distance of 750 mm above the hob surface.
- (*) If a cooker hood is to be installed above the cooker, refer to cooker hood manufacturer' instructions regarding installation height (min 650 mm)
- Remove packaging materials and transport locks.
- Surfaces, synthetic laminates and adhesives used must be heat resistant (100 °C minimum).
- The worktop must be aligned and fixed horizontally.
- Cut aperture for the hob in worktop as per installation dimensions.



* min.

Installation and connection

- Product can only be installed and connected in accordance with the statutory installation rules.



Do not install the hob on places with sharp edges or corners.
There is the risk of breaking for glass ceramic surface!

Electrical connection

Connect the product to a grounded outlet/line protected by a fuse of suitable capacity as stated in the "Technical specifications" table. Have the grounding installation made by a qualified electrician while using the product with or without a transformer. Our company shall not be liable for any damages that will arise due to using the product without a grounding installation in accordance with the local regulations.



DANGER:

The product must be connected to the mains supply only by an authorised and qualified person. The product's warranty period starts only after correct installation.

Manufacturer shall not be held responsible for damages arising from procedures carried out by unauthorised persons.



DANGER:

The power cable must not be clamped, bent or trapped or come into contact with hot parts of the product.

A damaged power cable must be replaced by a qualified electrician. Otherwise, there is risk of electric shock, short circuit or fire!

- Connection must comply with national regulations.
- The mains supply data must correspond to the data specified on the type label of the product. Type label is at the rear housing of the product.
- Power cable of your product must comply with the values in "Technical specifications" table.



DANGER:

Before starting any work on the electrical installation, disconnect the product from the mains supply.
There is the risk of electric shock!



Power cable plug must be within easy reach after installation (do not route it above the hob).

Plug the power cable into the socket.

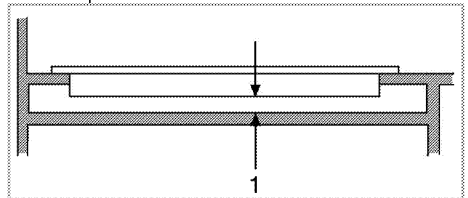
Installing the product

- Prepare the counter according to the installation dimensions in the user manual.
- In order to avoid the foreign substances and liquids penetrate between the hob and the counter, please apply the putty supplied in the package to the contour of the housing in the counter before installation but make sure that the putty does not overlap.
- Place the hob onto the counter so that the control buttons will face forwards.



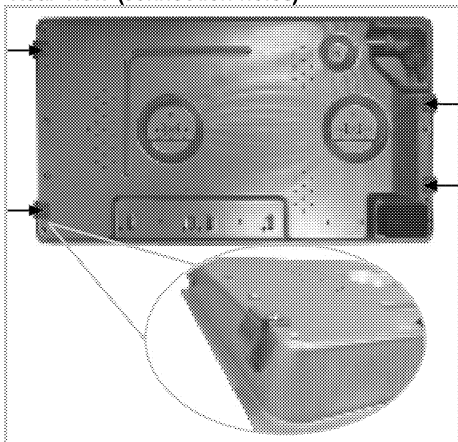
When installing the hob onto a cabinet, a shelf must be installed in order to separate the cabinet from the hob as illustrated in the above figure. This is not required when installing onto a built-in oven.

» For example, if it is possible to touch the bottom of the product since it is installed onto a drawer, this section must be covered with a wooden plate.



1 min. 50 mm

Rear view (connection holes)



Connection clamps will be supplied as installed onto the hob. Making connections to different holes is not a good practice in terms of safety since it can damage the gas and electrical system.

Final check

1. Plug in the power cable and switch on the product's fuse.
2. Check the functions.

Future Transportation

- Keep the product's original carton and transport the product in it. Follow the instructions on the carton. If you do not have the original carton, pack the product in bubble wrap or thick cardboard and tape it securely.



Check the general appearance of your product for any damages that might have occurred during transportation.

4 Preparation

Tips for saving energy

The following information will help you to use your appliance in an ecological way, and to save energy:

- Defrost frozen dishes before cooking them.
- Use pots/pans with cover for cooking. If there is no cover, energy consumption may increase 4 times.
- Select the burner which is suitable for the bottom size of the pot to be used. Always select the correct pot size for your dishes. Larger pots require more energy.
- Pay attention to use flat bottom pots when cooking with electric hobs. Pots with thick bottom will provide a better heat conduction. You can obtain energy savings up to 1/3.
- Vessels and pots must be compatible with the cooking zones. Bottom of the vessels or pots must not be smaller than the hotplate.
- Keep the cooking zones and bottom of the pots clean. Dirt will decrease the heat

conduction between the cooking zone and bottom of the pot.

- For long cookings, turn off the cooking zone 5 or 10 minutes before the end of cooking time. You can obtain energy savings up to 20% by using the residual heat.

Initial use

First cleaning of the appliance



The surface might get damaged by some detergents or cleaning materials.

Do not use aggressive detergents, cleaning powders/creams or any sharp objects during cleaning.

Do not use harsh abrasive cleaners or sharp metal scrapers to clean the oven door glass since they can scratch the surface, which may result in shattering of the glass.

1. Remove all packaging materials.
2. Wipe the surfaces of the appliance with a damp cloth or sponge and dry with a cloth.

5 How to use the hob

General information about cooking



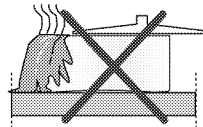
Never fill the pan with oil more than one third of it. Do not leave the hob unattended when heating oil. Overheated oils bring risk of fire. **Never attempt to extinguish a possible fire with water!** When oil catches fire, cover it with a fire blanket or damp cloth. Turn off the hob if it is safe to do so and call the fire department.

- Before frying foods, always dry them well and gently place into the hot oil. Ensure complete thawing of frozen foods before frying.
- Do not cover the vessel you use when heating oil.
- Place the pans and saucepans in a manner so that their handles are not over the hob to prevent heating of the handles. Do not place unbalanced and easily tilting vessels on the hob.
- Do not place empty vessels and saucepans on cooking zones that are switched on. They might get damaged.
- Operating a cooking zone without a vessel or saucepan on it will cause damage to the product. Turn off the cooking zones after the cooking is complete.
- As the surface of the product can be hot, do not put plastic and aluminum vessels on it. Clean any melted such materials on the surface immediately. Such vessels should not be used to keep foods either.
- Use flat bottomed saucepans or vessels only.
- Put appropriate amount of food in saucepans and pans. Thus, you will not have to make any unnecessary cleaning by preventing the dishes from overflowing. Do not put covers of saucepans or pans on cooking zones. Place the saucepans in a manner so that they are centered on the cooking zone. When you want to move the saucepan onto another cooking zone, lift and place it onto

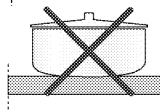
the cooking zone you want instead of sliding it.

Tips about glass ceramic hobs

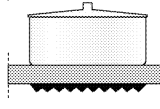
- Glass ceramic surface is heatproof and is not affected by big temperature differences.
- Do not use the glass ceramic surface as a place of storage or as a cutting board.
- Use only the saucepans and pans with machined bottoms. Sharp edges create scratches on the surface.
- Do not use aluminum vessels and saucepans. Aluminum damages the glass ceramic surface.



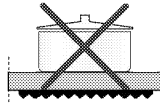
Spills may damage the glass ceramic surface and cause fire.



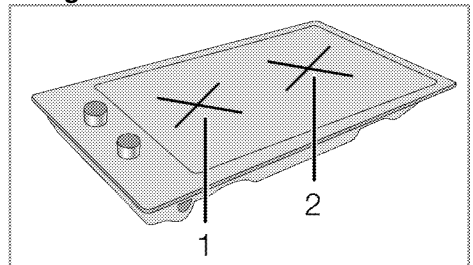
Do not use vessels with concave or convex bottoms.



Use only the saucepans and pans with flat bottoms. They ensure easier heat transfer. If the diameter of the saucepan is too small, energy will be wasted.



Using the hobs



- 1 Single-circuit cooking plate 14-16 cm
- 2 Single-circuit cooking plate 18-20 cm is list of advised diameter of pots to be used on related burners.

**DANGER:**

Do not allow any object to drop on the hob. Even small objects such as a saltshaker may damage the hob.

Do not use cracked hobs. Water may leak through these cracks and cause short circuit.

In case of any kind of damage on the surface (eg., visible cracks), switch off the product immediately to minimize the risk of electric shock.

Glass ceramic hob is equipped with an operation light and a hot zone warning indicator.

Hot zone warning indicator indicates the status of the active zone and it remains lit after the plate is turned off. When the temperature of the plate

cools down to a level that it can be touched by hand, warning indicator turns off. Flickering of the hot zone warning indicator is not a failure.

Turning on the ceramic plates

The hob control knobs are used for operating the plates. To obtain the desired cooking power, turn the hob control knobs to the corresponding level.

Cooking level	1	2 — 3	4 — 6
	warming	stewing, simmering	cooking, roasting, boiling

Turning off the ceramic plates

Turn the plate knob to OFF (upper) position.

6 Maintenance and care

General information

Service life of the product will extend and the possibility of problems will decrease if the product is cleaned at regular intervals.

**DANGER:**

Disconnect the product from mains supply before starting maintenance and cleaning works.

There is the risk of electric shock!

**DANGER:**

Allow the product to cool down before you clean it.

Hot surfaces may cause burns!

- Clean the product thoroughly after each use. In this way it will be possible to remove cooking residues more easily, thus avoiding these from burning the next time the appliance is used.
- No special cleaning agents are required for cleaning the product. Use warm water with washing liquid, a soft cloth or sponge to clean the product and wipe it with a dry cloth.
- Always ensure any excess liquid is thoroughly wiped off after cleaning and any spillage is immediately wiped dry.
- Do not use cleaning agents that contain acid or chloride to clean the stainless or inox surfaces and the handle. Use a soft cloth with a liquid detergent (not abrasive) to wipe those parts clean, paying attention to sweep in one direction.



The surface might get damaged by some detergents or cleaning materials.

Do not use aggressive detergents, cleaning powders/creams or any sharp objects during cleaning.

Do not use harsh abrasive cleaners or sharp metal scrapers to clean the oven door glass since they can scratch the surface, which may result in shattering of the glass.



Do not use steam cleaners to clean the appliance as this may cause an electric shock.

Cleaning the hob

Glass ceramic surfaces

Wipe the glass ceramic surface using a piece of cloth dampened with cold water in a manner as not to leave any cleaning agent on it. Dry with a soft and dry cloth. Residues may cause damage on the glass ceramic surface when using the hob for the next time.

Dried residues on the glass ceramic surface should under no circumstances be scraped with hook blades, steel wool or similar tools.

Remove calcium stains (yellow stains) by a small amount of lime remover such as vinegar or lemon juice. You can also use suitable commercially available products.

If the surface is heavily soiled, apply the cleaning agent on a sponge and wait until it is absorbed well. Then, clean the surface of the hob with a damp cloth.



Sugar-based foods such as thick cream and syrup must be cleaned promptly without waiting the surface to cool down. Otherwise, glass ceramic surface may be damaged permanently.

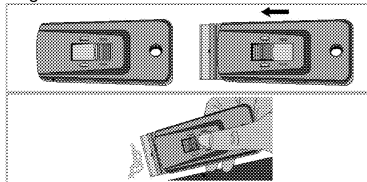
Slight color fading may occur on coatings or other surfaces in time. This will not affect operation of the product.

Color fading and stains on the glass ceramic surface is a normal condition, and not a defect.

Scraper for cleaning the glass ceramic surface

Clean the spilled residues and stuck dirt with a commercially available scraper which is specially designed for glass ceramic surfaces.

To avoid scratches, hold the scraper at a narrow angle.



Cleaning the control panel

Clean the control panel and knobs with a damp cloth and wipe them dry.



Do not remove the control buttons/knobs to clean the control panel.

Control panel may get damaged!

7 Troubleshooting

Product emits metal noises while heating and cooling.

- When the metal parts are heated, they may expand and cause noise. >>> *This is not a fault.*

Product does not operate.

- The mains fuse is defective or has tripped. >>> *Check fuses in the fuse box. If necessary, replace or reset them.*
- Product is not plugged into the (grounded) socket. >>> *Check the plug connection.*



Consult the Authorised Service Agent or the dealer where you have purchased the product if you can not remedy the trouble although you have implemented the instructions in this section. Never attempt to repair a defective product yourself.

Моля, първо прочетете това ръководство за употреба.

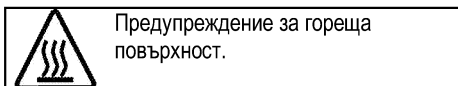
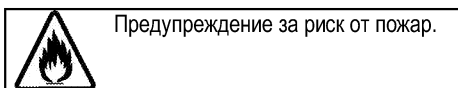
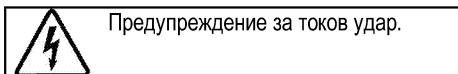
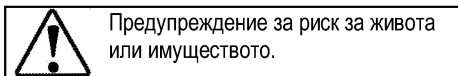
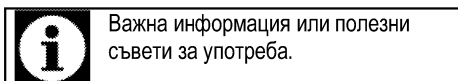
Уважаеми купувачо,

Благодарим ви, че избрахте продукта на фирмата . Надяваме се, че ще получите възможно най-добри резултати от използването на продукта ни, произведен по най-висококачествени и модерни технологии. Затова ви молим да прочетете това ръководство за употреба и всичката го съпътстваща документация внимателно преди да използвате уреда, а след това ги запазете за справка в бъдеще. Ако преотстъпите продукта на друг потребител, то го предайте заедно с ръководството за употреба. Следвайте всички указания и информация в ръководството за употреба.

Помнете, че това ръководство за употреба може да е за няколко модела уреда. Разликите между моделите са уточнени в ръководството.

Обяснение на символите

В това ръководство са използвани следните символи:



Arçelik A.Ş.
Karaağaç caddesi No:2-6
34445 Sütlüce/Istanbul/TURKEY
Made in TURKEY

**1 Важни указания и предупреждения
за безопасност и опазване на
околната среда 4**

Обща безопасност.....	4
Електрическа безопасност	4
Безопасност при използването на продукта	5
Предвидена употреба	6
Безопасност за децата	7
Изхвърляне на остарелия продукт.....	7
Изхвърляне на опаковъчните материали....	7

2 Основна информация 8

Общ преглед.....	8
Технически спецификации	9

3 Монтаж 10

Преди монтажа.....	10
Инсталация и свързване	12
Бъдещо транспортиране	13

4 Подготовка 14

Съвети за спестяване на енергия	14
Първо ползване.....	14
Първоначално почистване на уреда	14

5 Как да работите с котлона 15

Обща информация за готвенето	15
Използване на котлоните	16

6 Поддържане и грижа 17

Обща информация	17
Почистване на котлона.....	17
Почистване на контролния панел.....	18

7 Отстраняване на повреди 19

1 Важни указания и предупреждения за безопасност и опазване на околната среда

Този раздел съдържа указания за безопасност, които ще ви помогнат да избегнете риска от нараняване или повреда. Неспазването на тези указания прави всякакви гаранции невалидни.

Обща безопасност

- Уредът може да бъде ползват от деца на 8 и повече години и от лица с понижени физически, сензорни и умствени способности или такива без опит и познания, ако те са надзиравани или инструктирани относно употребата на уреда по безопасен начин и са наясно със свързаните с това рискове. Децата не бива да си играят с уреда. Почистването и потребителската поддръжка не бива да бъдат извършвани от деца без надзор.
- Монтажът и ремонтът на уреда трябва винаги да се извършва от представители на оторизирания сервис. Производителят не носи отговорност за щети, причинени от поправка извършена от неоторизирани лица, в който случай

гаранцията може да стане невалидна. Преди монтажа прочетете внимателно всички инструкции.

- Не използвайте продукта ако даде дефект или е видимо повреден.
- След всяко ползване проверявайте дали функционалните копчета са изключени.

Електрическа безопасност

- Ако продуктът е повреден, той не бива да се ползва преди да бъде поправен в оторизирания сервис. Съществува риск от токов удар!
- Свързвайте уреда само към заземен контакт с мощност и защита, посочени в "Технически спецификации" Заземяването трябва да се направи от квалифициран електротехник, като продуктът се ползва със или без трансформатор. Фирмата ни не носи отговорност за проблеми, произтичащи от неправилно заземяване на уреда.
- Никога не мийте продукта като го поливате или пръскате в

вода! Съществува риск от токов удар!

- Никога не докосвайте щепсела с мокри ръце! Никога не изключвайте щепсела от контакта с дърпане на кабела, винаги хващайте щепсела за да го извадите.
- Продуктът трябва да е изключен по време на монтаж, поддръжка, почистване и ремонт.
- Ако захранващият кабел на уреда е повреден, трябва да се поправи от производителя, негов сервизен представител или квалифициран техник с цел да се избегне всякакъв риск.
- Уредът трябва да е монтиран така, че да може напълно да се изключи от мрежата. Разделянето трябва да се осигурява или от щепсел, или от превключвател, монтиран във фиксираната електрическа инсталация, съгласно строителните наредби.
- Всяка манипулация по електрическите съоръжения и системи може да се извършва само от оторизирани и квалифицирани лица.
- В случай на каквато и да е повреда, изключете продукта и го изключете от захранването.

За да направите това, изключете буцона вкъщи.

- Проверете дали напрежението на буцона е съвместимо с продукта.

Безопасност при използването на продукта

- Уредът и досегаемите му части се нагряват при употреба. Трябва да се внимава да не се докосват нагряните елементи. Децата под 8-годишна възраст трябва да се държат далеч от уреда освен ако не са надзиравани постоянно.
- Никога не използвайте продукта ако сте под влиянието на алкохол и/или други опияняващи вещества.
- Внимавайте, когато в съдовете си имате алкохолни напитки. Алкохолът се изпарява при високи температури и може да предизвика пожар при възпламеняване от допира с горещата повърхност.
- Не поставяйте никакви леснозапалими материали в близост до продукта, тъй като може да се нагорещи отстрани по време на употреба.
- Дръжте всички вентилационни отвори отпуснени.
- Не използвайте парочистачки за почистване на уреда, тъй

като това може да предизвика токов удар.

- Безнадзорно готвене с мазнина върху котлона е опасно и може да доведе до пожар. НИКОГА не се опитвайте да изгасите възникнал пожар с водаю вместо това изключете уреда и покрийте пламъка с капак или противопожарно одеало.
- Опасност от пожар: Не съхранявайте никакви предмети върху готварските повърхности.
- Ако повърхността е напукана, изключете уреда за да избегнете риска от токов удар.
- Уредът не е предназначен за работа чрез управление от външен таймер или отделно дистанционно управление.
- Парното налягане, което се наслабва в следствие на влагата по повърхността на котлона или върху дъното на тенджерата може да накара тенджерата да подскочи. Затова винаги проверявайте дали повърхността на фурната и дъното на тенджерите са сухи.
- Използвайте само предпазители за котлони, проектирани от производителя на готварския уред или такива,

който са указани от производителя в инструкциите за употреба на уреда, или предпазители, вградени в уреда. Употребата на неподходящи предпазители за деца може да доведе до злополука.

За надеждността на пламъка на продукта;

- Щепселът трябва да е наместен в контакта, така че да не излизат искри.
- Не използвайте повреден, срязан или удължен кабелю използвайте само оригиналния кабел на уреда.
- Щепселът не бива да се включва в контакта ако е намокрен или влажен.

Предвидена употреба

- Този продукт е предвиден за битова употреба. Употребата му за търговски цели не е допустима.
- Този уред е предназначен само за готварски цели. Той не бива да се използва за други цели, като Например отопляване на стаята.
- ÆПроизводителят не носи отговорност за щети, причинени от неправилна употреба.

Безопасност за децата

- Външните части на уреда може да се нагорещат при употреба. Малките деца трябва да се държат далеч от уреда.
- Опаковъчните материали са опасни за децата. Дръжте далеч от децата опаковъчните материали. Изхвърлете всички части от опаковката по природосъобразен начин.
- Електрическите уреди са опасни за децата. Дръжте децата далеч от уреда по време на работа и не им позволявайте да си играят с него.
- Не поставяйте върху уреда предмети, които децата може да опитат да достигнат.

Изхвърляне на остарелия продукт

Съвместимост с WEEE

Директива за изхвърляне на отпадъчни продукти:



Продуктът отговаря на изискванията на директивата на ЕС за изхвърляне на отпадъчни продукти (2012/19/EU). Този продукт носи класификационен символ за отпадъчно електрическо и електронно оборудване (WEEE). Продуктът е произведен от висококачествени части и материали, които могат да се

използват повторно и са подходящи за рециклиране. Не изхвърляйте уреда заедно с обикновените битови и други отпадъци в края на оперативния му живот. Занесете го в събирателния център за рециклиране на електронно и електрическо оборудване. Обърнете се към местните власти за повече подробности относно тези събирателни центрове.

Съвместимост с директивата за ограничаване на употребата на определени опасни вещества:

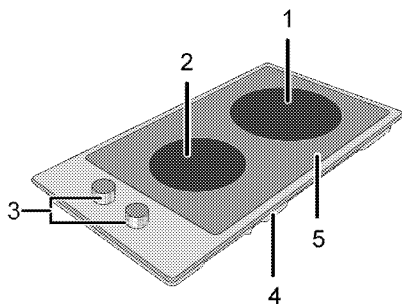
Закупеният от вас продукт отговаря на изискванията на директивата за ограничаване на употребата на определени опасни вещества на ЕС (2011/65/EU). Той не съдържа никой от вредните и забранени материали, описани в Директивата.

Изхвърляне на опаковъчните материали

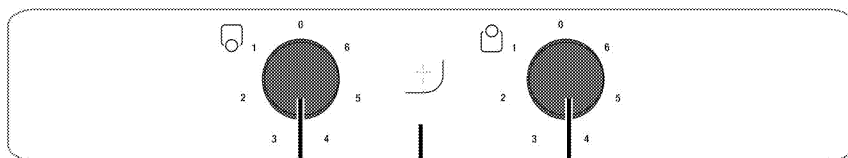
- Опаковъчните материали са опасни за децата. Дръжте опаковъчните материали на безопасно място, извън достъпа на деца. Опаковъчните материали на продукта са изработени от преработваеми материали. Изхвърлете ги по подходящ начин и сортирайте в съответствие с указанията за рециклиране на отпадъци. Не ги изхвърляйте с нормалните битови отпадъци.

2 Основна информация

Общ преглед



- | | | | |
|---|----------------------------------|---|-----------------|
| 1 | Готварска плоча с един прекъсвач | 3 | Монтажна скоба |
| 2 | Контролен панел | 4 | Капак на базата |



- | | | | |
|---|---|---|--|
| 1 | Готварска плоча с един прекъсвач Отпред | 3 | Готварска плоча с един прекъсвач Отзад |
| 2 | Индикатор за горещ котлон | | |

Технически спецификации

Волтаж/честота	220-240 V ~ 50 Hz
Обща консумация на енергия	2.9 kW
Бушон	мин. 16 A
Кабел тип/сечение	H05RR-FG 3 x 1,5 mm ²
Дължина на кабела	макс. 2 м
Външни размери (височина/ширина/дълбочина)	75 мм/288 мм/510 мм
Монтажни размери (ширина/дълбочина)	268 мм/490 мм
Горелки	
Отпред	Готварска плоча с един прекъсвач
Размер	140 мм
Мощност	1200 W
Отзад	Готварска плоча с един прекъсвач
Размер	180 мм
Мощност	1700 W



Техническите спецификации може да бъдат променени без предупреждение с цел подобряване качеството на продукта.



Фигурите в това ръководство са схематични и може да не съвпадат точно с вашия продукт.



Стойностите посочени върху етикетите на продукта или в прдружителната документация са получени в лабораторни условия при спазване на съответните стандарти. Тези стойности може да варират в зависимост от условията на работа и околната среда на продукта.

3 Монтаж

Продуктът трябва да се монтира от квалифициран специалист в съответствие с текущите законови разпоредби. В противен случай гаранцията става невалидна. Производителят не носи отговорност за щети, причинени от поправка извършена от неоторизирани лица, в който случай гаранцията може да стане нева.



Подготовката на мястото и свързването на електричеството продукта са отговорност на клиента.



ОПАСНОСТ:

Уредът трябва да бъде монтиран в съответствие с всички местни наредби относно газовите и/или електрически уреди.



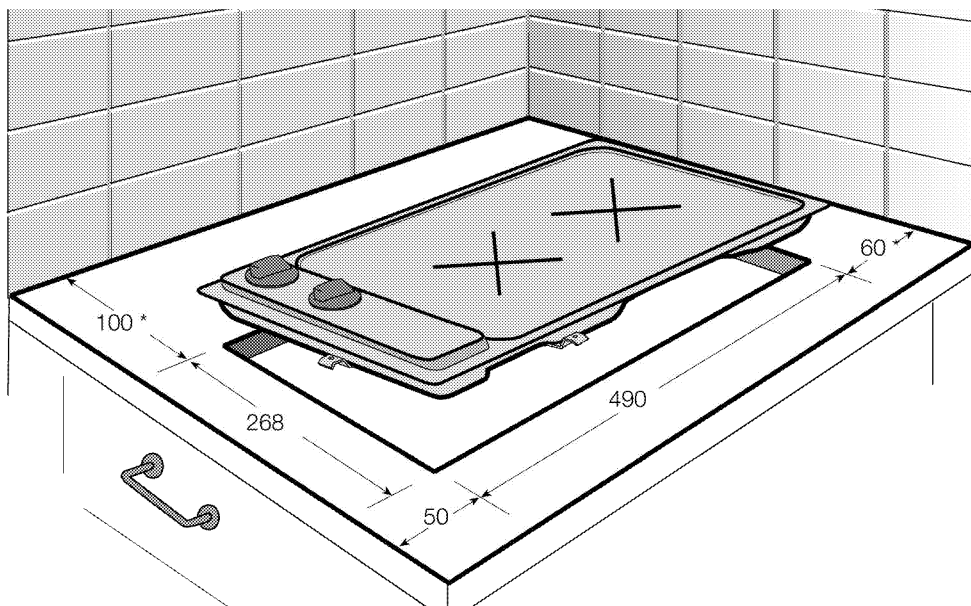
ОПАСНОСТ:

Преди монтажа, разгледайте продукта за видими дефекти. Ако има такива, то не го монтирайте. Повредените продукти водят до риск за безопасността.

Преди монтажа

Плотът е проектиран за монтиране в търговските кухненски плотове. От уреда до стените и мебелировката трябва да се остави обезопасителна дистанция. Вижте фигурата (стойностите са в мм).

- Може да се използва и в свободно положение. Оставете минимално разстояние от 750 мм над повърхността на котлоните.
- (*) Ако над печката ще бъде монтиран абсорбатор, направете справка с указанията на производителя за височината на монтиране (мин 650 мм)
- Премахнете опаковъчните материали и транспортните заключалки.
- Използваните повърхности, синтетични ламинати и лепила трябва да са топлоустойчиви (минимум 100 °C).
- Кухненският плот трябва да е в неподвижно хоризонтално положение.
- По монтажните размери намалете отвората на кухненския плот за котлона.



* МИН.

Инсталация и свързване

- Уредът трябва да бъде инсталиран и свързан в съответствие с установените правила за монтажа.



Не монтирайте уреда на места с остри ръбове и ъгли.

Съществува риск от счупване на стъклокерамичната повърхност!

Свързване към електричеството

Свържете продукта със заземен контакт, защитен с бушон с подходящ капацитет, както е указано в таблица "Технически спецификации". Заземяването трябва да се направи от квалифициран електротехник, като продуктът се ползва със или без трансформатор. Фирмата ни не носи отговорност за щети, причинени от употребата на продукта без направено заземяване на инсталацията в съответствие с местните разпоредби.



ОПАСНОСТ:

Уредът трябва да бъде свързан към електрическата мрежа от оторизирано и квалифицирано лице. Периодът на гаранцията на уреда започва едва след правилен монтаж.

Производителят не носи отговорност за щети, причинени от поправка извършена от неоторизирани лица.



ОПАСНОСТ:

Захранващият кабел не бива да се защитава, прегъва или да допира горещите части на уреда.

Повреденият захранващ кабел трябва да се замени от квалифициран електротехник. В противен случай съществува риск от токов удар, късо съединение или пожар!

- При свързването трябва да се спазват държавните наредби.
- Данните на захранването трябва да отговарят на данните, описани върху етикета на уреда. Етикетът с данни се

намира в гнездото в задната част на продукта.

- Захранващият кабел на уреда трябва да отговаря на стойностите в таблица "Технически спецификации".



ОПАСНОСТ:

Преди да започнете каквато и да е работа по електрическата инсталация, изключете уреда от захранването.

Съществува риск от токов удар!



Захранващият кабел трябва да е леснодостъпен след монтажа (не го прекарвайте над котлона).

Включете захранващият кабел в контакта.

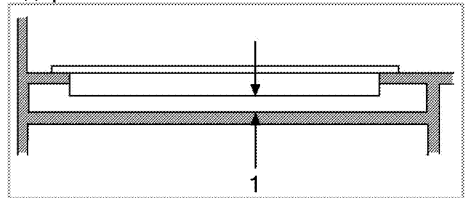
Монтаж на продукта

1. Подгответе тезгяха съгласно указанията за монтаж в ръководството за употреба.
2. За да предотвратите навлизането на вещества и течности между плота и тезгяха, преди монтажа нанесете шпакловачката смес, предоставена в пакета, по ръба на тезгяха, но се уверете, че тя не излиза навън.
3. Поставете плота върху тезгяха, така че контролните копчета да гледат напред.



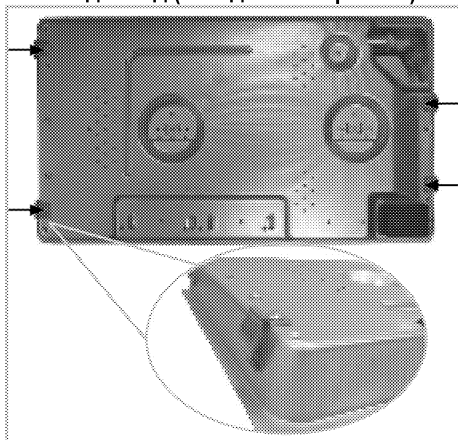
При монтиране на плота в шкафа, той трябва да се отдели от шкафа с монтиране на рафт, както е показано на горната фигура. Това не е необходимо при монтиране върху вградена фурна.

» Например, ако дъното на продукта може да бъде докоснато след като е монтирано в чекмедже, този участък трябва да се покрие с дървена плоскост.



1 мин. 50 мм

» Изглед отзад (изходи за свързване)



Свързочните скоби са доставени така както са монтирани върху плота. По отношение на безопасността не е добре да правите свързването към различни дупки, тъй като това може да увреди газовата и електрическата система.

Финална проверка

1. Включете захранващия кабел и включете бутона на уреда.
2. Проверете функциите.

Бъдещо транспортиране

- Запазете оригиналния кашон на продукта и го пренасяйте в него. Следвайте указанията върху кашона. Ако не сте запазили оригиналния кашон, опаковайте уреда в найлон с мехурчета и го залепете плътно.



Огледайте продукта отвън за евентуални повреди при пренасянето.

4 Подготовка

Съвети за спестяване на енергия

Следващата информация ще ви помогнат да използвате електроуреда по екологичен начин и да спестявате електроенергия:

- Размразете замразените храни преди да ги сготвите.
- За готвене използвайте съдове с капацити. Ако готвите без капак, консумацията на енергия се увеличава до 4 пъти.
- Изберете горелката, която е най-подходяща за размера на дъното на съда, който използвате. Винаги избирайте подходящия размер тенджерата за яденето, което ще приготвите. По-големите тенджери харчат повече енергия.
- При готвене на електрически котлони дъното на съдовете трябва да е равно. Тенджерите с дебело дъно осигуряват по-добър топлообмен. Може да спестите до 1/3 електроенергия.
- Съдовете и тенджерите, които използвате, трябва да са съвместими с котлоните. Дъното на съдовете или тенджерите трябва да е по-малко от котлона.

- Поддържайте зоните за готвене и дъното на тенджерите чисти. Наслаганията от мръсотия намаляват проводимостта между зоните за готвене и дъното на тенджерата.
- При по продължително готвене, изключете зоната за готвене 5-10 минути преди края на времето за готвене. Може да спестите до 20% електроенергия при ползване на остатъчната топлина.

Първо ползване

Първоначално почистване на уреда



Повърхността може да се повреди от някои почистващи препарати и материали.

Не използвайте агресивни почистващи препарати, прахообразни/кремаобразни препарати или остри предмети при почистването.

1. Премахнете всички опаковъчни материали.
2. С мокър парцал или гъба забършете всички повърхности и подсушете.

5 Как да работите с котлона

Обща информация за готвенето



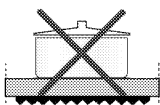
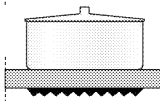
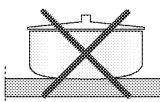
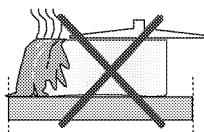
Никога не пълнете тигана с олио над 1/3 от обема му. Не оставяйте котлона без наблюдение когато нагривате олио. Пренагрятата мазнина води до риск от пожар. **Никога не опитвайте да потушите евентуално възникнал пожар с вода!** Ако олиот се подпали, го покрийте с противопожарно одеало или влажен парцал.. Изключете котлона ако това не представлява опасност и се обадете в пожарната.

- Преди пържене на хранителни продукти, винаги ги подсушавайте добре и ги поставяйте внимателно в нагорещената мазнина. Замразените храни трябва да се размразят напълно преди пържене.
- Не покривайте съда в който загревате олио.
- Поставяйте тиганите и тенджерите по такъв начин, че дръжките им да не изложени на горещината от котлона. Не поставяйте небалансирани и лесно накланящи се съдове върху котлона.
- Не поставяйте празни съдове и тенджери във включените зони за готвене. Това може да ги повреди.
- Пускането на зона за готвене без поставяне на съд или тенджерата отгоре ще повреди уреда. Изключете зоните за готвене след приключване на готвенето.
- Не поставяйте пластмасови и алуминиеви съдове върху уреда тъй като повърхността му може да бъде нагорещена. Разтопени вещества от такъв вид трябва да се почистват незабавно. Тези съдове не бива да се използват и за съхранение на храна.
- Използвайте само тенджери и съдове с плоско дъно.

- Поставяйте съразмерно количество ядене в тенджерите и тиганите. По този начин ще си спестите излишното чистене на преляло ядене. Не поставяйте капациите на тенджерите и тиганите в зоните за готвене. Поставяйте тенджерите така, че да са центрирани върху зоните за готвене. Ако желаете да преместите тенджерата върху друга зона за готвене, я повдигнете и преместете вместо да я плъзгате.

Съвети за стъклокерамичните котлони

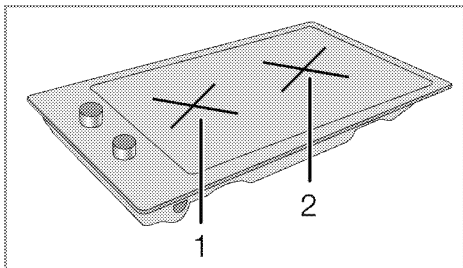
- Стъклокерамичната повърхност е топлоустойчива и не се влияе от големи температурни разлики
- Не използвайте стъклокерамичната повърхност като място за съхранение на продукти или като дъска за рязане.
- Използвайте само тенджери и тигани с равни дъна. Острите ръбове издраскват повърхността.
- Не използвайте алуминиеви съдове и тенджери. Алуминият поврежда стъклокерамичната повърхност.



Разлятото ядене може да повреди стъклокерамичната повърхност и да предизвика пожар. Не използвайте съдове с вдлъбнато или изпъкнало дъно.

Използвайте само тенджери и тигани с равни дъна. Те осигуряват по-добър топлообмен. Ако диаметърът на тенджерата е втръде малък се похабява енергия.

Използване на котлоните



- 1 Готварска плоча с един прекъсвач 14-16 см
- 2 Готварска плоча с един прекъсвач 18-20 см е списък на препоръчителните диаметри на съдовете, които следва да бъдат използвани със съответните котлони.



ОПАСНОСТ:

Внимавайте върху плочата да не падат предмети. Дори малки предмети от рода на солница могат да я повредят.

Не използвайте плочата ако е напукана. Водата може да протече през тези пукнатини и да предизвика късо съединение.

В случай на видима повреда на повърхността (напр. видими пукнатини), изключете незабавно уреда за да намалите до минимум риска от токов удар.

Стъклокерамичният котлон е оборудван с работна лампа и предупредителен индикатор за нагорещена зона. Предупредителният индикатор за нагорещена зона обозначава позицията на активната зона за готвене и продължава да свети след изключването ѝ. Когато зоната за готвене се охлади достатъчно за да може да бъде докосната с ръка, предупредителният индикатор изгасва. Мъждукането на предупредителния индикатор за нагорещена зона не е повреда.

Включване на стъклокерамичните зони за готвене

Използвайте копчетата на зоните за готвене за да включите стъклокерамичните зони за готвене. Завъртете копчето на зоната за готвене на съответното ниво за да включите желаното ниво за готвене.

Ниво на готвене	1	2 — 3	4 — 6
	загряване	задушаване, готвене	готвене, пържене

Изключване на стъклокерамичните зони за готвене

Завъртете копчето на котлона на най-горната позиция (изключено).

6 Поддържане и грижа

Обща информация

Оперативният живот на уреда ще се удължи, а често срещаните проблеми ще намалеят ако уредът се почиства редовно.



ОПАСНОСТ:

Изключете уреда от захранването при почистване и поддръжка. Съществува риск от токов удар!



ОПАСНОСТ:

Преди да почистите уреда, го оставете да изстине. Горещите повърхности могат да причинят изгаряния!

- След всяко ползване почиствайте уреда добре. По този начин всякакви остатъци от готвенето се почистват по-лесно и се избягва изгарянето им при следващото ползване на уреда.
- За почистването на уреда не са необходими специални почистващи препарати. Използвайте хладка вода и измивен препарат, мек парцал или гъба за почистване на фурната и я забършете със сух парцал.
- Внимавайте излишната вода да бъде добре подсушена след почистването, а всякакви разляти течности незабавно да бъдат подсушавани.
- Не използвайте почистващи вещества, съдържащи киселина или хлор за почистване на неръждаемото покритие и дръжката. Използвайте мек парцал с течен препарат (неабразивен) за да забършете тези части, като внимавате да забърсвате в една посока.



Повърхността може да се повреди от някои почистващи препарати и материали.

Не използвайте агресивни почистващи препарати, прахообразни/кремообразни препарати или остри предмети при почистването.



Не използвайте парочистачки за почистване на уреда, тъй като това може да предизвика токов удар.

Почистване на котлона

Стъклокерамични повърхности

Забършете стъклокерамичната повърхност с помощта на навлажнена със стъдена вода парцал по такъв начин, че по нея да не остават следи от измивния препарат.

Подсушете с мек сух парцал. Остатъкният материал може да повреди стъклокерамичната повърхност при следващото ползване на котлоните.

Засъхналите остатъци по стъклокерамичната повърхност в никакъв случай не бива да се чегъртат с остри четки, стоманена тел и подобни.

Калциевите петна (жълти на цвят) се премахват с малко количество оцет или лимонов сок. Можете също така да ползвате подходящи за целта препарати.

Ако повърхността е силно замърсена, нанесете почистващият препарат с гъба и изчакайте да попие добре. След това почистете повърхността на плота с влажен парцал.



Храни на захарна основа като гъста сметана и сироп трябва да бъдат почистени бързо преди повърхността да се охлади. В противен случай рискувате стъклокерамичната повърхност да се повреди перманентно.

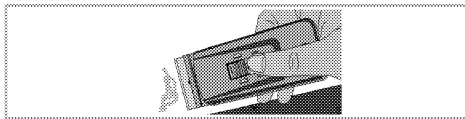
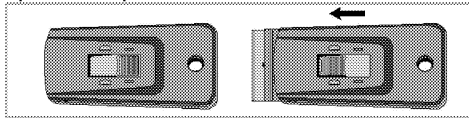
Повърхностното покритие може да се обезцвети леко с течение на времето. Това не се отразява на работата на продукта. Обезцветяването и петната по стъклокерамичната повърхност са нормално явление, а не дефект.

Стъргало за почистване на стъклокерамични повърхности

Почиствайте разлятите останки и полепналата мръсотия със специална

стъргалка за стъклокерамична повърхност, която можете да откриете в търговската мрежа.

За да избегнете риска от издраскване, дръжте стъргалото наклонено под лек ъгъл.



Почистване на контролния панел

Почистете контролния панел и копчетата с влажен парцал и подсушете.



Не сваляйте бутоните/копчетата за да почистите контролния панел.

Това може да повреди контролния панел!

7 Отстраняване на повреди

Уредът издава металически звуци при загряване и охлаждане.

- Когато металните части се загряват, може да се разширят и да предизвикат шум. >>> Това не е повреда.

Уредът не работи.

- Бушонът е дефектен или се е изключил. >>> Проверете предпазителите в електрическата кутия. Ако е необходимо ги сменете или ги пренастройте.
- Уредът не е включен в (заземен) контакт. >>> Проверете контакта.



Ако въпреки, че сте изпълнили указанията от този раздел не можете да решите проблема, се консултирайте с представител на оторизирания сервиз или магазина, от който сте закупили уреда. Никога не се опитвайте сами да поправите неизправния уред.

Molimo prvo pročitajte ovaj korisnički priručnik!

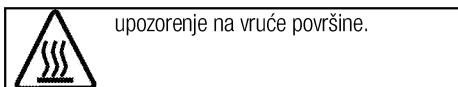
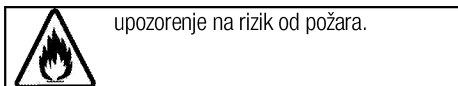
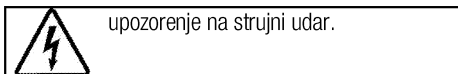
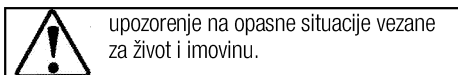
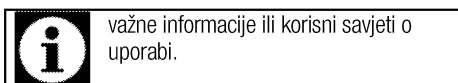
Poštovani kupci,

hvala Vam što ste odabrali proizvod tvrtke . Nadamo se da ćete postići najbolje rezultate s proizvodom koji je proizveden visokokvalitetnom i najmodernijom tehnologijom. Zato vas molimo da pažljivo pročitate cijeli korisnički priručnik i druge prateće dokumente prije uporabe proizvoda te da ih sačuvate za buduću uporabu. Ako proizvod dajete nekom drugom, priložite i korisnički priručnik. Poštujte sva upozorenja i informacije u korisničkom priručniku.

Imajte na umu da ovaj korisnički priručnik vrijedi i za nekoliko drugih modela. Razlike između modela navedene su u priručniku.

Objašnjenje simbola

U ovom korisničkom priručniku koriste se sljedeći simboli:



Arçelik A.Ş.
Karaağaç caddesi No:2-6
34445 Sıfırlıçe/Istanbul/TURKEY
Made in TURKEY

1	Važne upute i upozorenja za sigurnost i okoliš	4	4	4	4
	Opća sigurnost.....	4			
	Električna sigurnost.....	4			
	Sigurnost proizvoda.....	5			
	Predviđena uporaba	6			
	Sigurnost za djecu.....	6			
	Stara oprema.....	6			
	Odlaganje materijala pakiranja	7			
2	Opće informacije	8			
	Pregled.....	8			
	Tehničke specifikacije.....	9			
3	Instalacija	10			
	Prije instalacije.....	10			
	Montaža i spajanje	11			
	Budući prijevoz.....	12			
4	Pripreme	13			
	Savjeti za uštedu energije	13			
	Prva uporaba	13			
	Prvo čišćenje proizvoda	13			
5	Kako koristiti grijaću ploču	14			
	Opće informacije o kuhanju.....	14			
	Uporaba grijaćih ploča	15			
6	Održavanje	16			
	Opće informacije.....	16			
	Čišćenje ploče za kuhanje.....	16			
	Čišćenje kontrolne ploče.....	16			
7	Otklanjanje kvarova	17			

1 Važne upute i upozorenja za sigurnost i okoliš

Ovaj odjeljak sadrži sigurnosne upute koje će vam pomoći da se zaštitite od rizika od osobnih ozljeda ili oštećenja imovine. Nepoštivanjem ovih uputa poništavaju se sva jamstva.

Opća sigurnost

- Ovaj uređaj mogu koristiti djeca starija od 8 godina i osobe sa smanjenim tjelesnim, osjetilnim ili mentalnim mogućnostima ili nedostatkom iskustva i znanja ako imaju nečiji nadzor ili su upućene u sigurnu uporabu ovog proizvoda i razumiju opasnosti koje on nosi.
Djeca se ne smiju igrati uređajem. Djeca ne smiju bez nadzora čistiti i održavati uređaj.
- Instalacije i popravke moraju uvijek obavljati ovlašteni serviseri. Proizvođač nije odgovoran za oštećenja nastala zbog postupaka koje vrše neovlaštene osobe, a to može dovesti i do poništavanja jamstva. Prije instalacije pažljivo pročitajte upute.
- Ne radite s proizvodom ako je pokvaren ili ima bilo kakva vidljiva oštećenja.
- Provjerite jesu li funkcijske tipke uređaja isključene nakon svake uporabe.

Električna sigurnost

- Uređaj se ne smije koristiti ako na njemu postoji kvar, osim ako ga nije popravio ovlašteni serviser. Postoji opasnost od strujnog udara!
- Proizvod spojite samo na uzemljenu utičnicu/vod sa naponom i zaštitom kako je navedeno u tablici "Tehničke specifikacije". Neka uzemljenje izvede kvalificirani električar dok koristite proizvod sa ili bez transformatora. Naša tvrtka neće biti odgovorna za bilo kakve poteškoće nastale zbog uporabe proizvoda bez uzemljenja u skladu s lokalnim zakonima.
- Proizvod nikad ne perite tako da ga pršćete ili zalijevate vodom! Postoji opasnost od strujnog udara!
- Utikač nikad ne dodirujte mokrim rukama! Ne isključujte uređaj povlačenjem kabela, kabel uvijek izvucite držeći ga rukom.
- Proizvod mora biti isključen iz struje tijekom instalacije, održavanja, čišćenja i servisiranja.
- Ako je kabel napajanja uređaja oštećen, mora ga zamijeniti proizvođač, njegov serviser ili slično kvalificirana osoba da bi se izbjegla opasnost.

- Uređaj se mora instalirati tako da se u potpunosti može odvojiti od mreže napajanja. Razdvajanje mora biti omogućeno mrežnim utikačem ili prekidačem ugrađenim u fiksnu električnu instalaciju u skladu s građevinskim propisima.
- Sve radove na električnoj opremi i sustavima smiju obavljati samo ovlaštene i kvalificirane osobe.
- U slučaju bilo kakvog oštećenja, isključite uređaj i otpojite ga s napajanja. Da biste to uradili, isključite osigurač u kući.
- Provjerite je li nazivna struja osigurača kompatibilna s proizvodom.
- Pazite da blizu proizvoda ne budu zapaljivi materijali jer njegove stranice mogu postati vruće tijekom uporabe.
- Držite otvore za ventilaciju bez zapreka.
- Nemojte koristiti parne čistače za čišćenje uređaja jer to može uzrokovati strujni udar.
- Kuhanje s mašću ili uljem bez nadzora plamenika može biti opasno i prouzročiti požar. NIKAD ne gasite požar vodom, ali isključite uređaj i pokrijte plamen, primjerice, poklopcem ili vatrootpornom dekom.
- Opasnost od požara: ne odlažite predmete na površine za kuhanje.

Sigurnost proizvoda

- Uređaj i njegovi dostupni dijelovi postanu vrući tijekom uporabe. Trebate izbjegavati dodirivanje grijaćih elemenata. Djeca mlađa od 8 godina se trebaju držati podalje, osim ako imaju stalni nadzor.
- Nikada ne koristite proizvod kad su vam smanjeni prosudba ili koordinacija zbog uporabe alkohola i/ili droga/lijekova.
- Pazite kad koristite alkoholna pića u jelima. Alkohol isparava pri visokim temperaturama i može uzrokovati požar pri kontaktu s vrućim površinama.
- Ako je površina napuknuta, isključite uređaj da biste izbjegli opasnost od električnog udara.
- Uređaj nije predviđen za to da se njime upravlja vanjskim programatorom ili posebnim sustavom za daljinsko upravljanje.
- Tlak pare koji se stvara zbog vlage na površini plamenika ili na dnu lonca može uzrokovati pomicanje lonca. Zato pazite da su površina pećnice i dno lonaca uvijek suhi.
- Koristite samo štitnike za ploču koje je izradio proizvođač kuhala ili koje je proizvođač kuhala u korisničkim uputama naveo kao prikladne ili štitnike za ploču

ugrađene u kuhalo. Uporaba neprimjerenih štitnika može uzrokovati nezgode.

Za pouzdanost proizvoda protiv požara;

- provjerite pristaje li utikač u utičnicu kako ne bi izazivao iskrenje.
- Ne koristite oštećeni ili izrezani ili produžni kabel, osim originalnog kabela.
- Pazite da na utičnici u koju se uključuje uređaj nema tekućina ili vlage.

Predviđena uporaba

- Ovaj proizvod je napravljen za uporabu u kućanstvu. Komercijalna uporaba nije dopuštena.
- Ovaj uređaj je samo u svrhu kuhanja. Ne smije se koristiti u druge svrhe, npr. Grijanje sobe.
- Proizvođač neće biti odgovoran za bilo kakvu štetu do koje je došlo zbog nepravilne uporabe ili rukovanja.

Sigurnost za djecu

- Dostupni dijelovi mogu postati vrući tijekom uporabe. Malu djecu treba držati podalje.
- Materijali pakiranja će biti opasni za djecu. Držite materijale pakiranja podalje od djece. Molimo odložite sve dijelove pakiranja prema standardima o zaštiti okoliša.

- Električni aparati su opasni za djecu. Držite djecu podalje od uređaja dok radi i ne dopuštajte im da se igraju s uređajem.
- Nemojte držati bilo kakve predmete do kojih djeca mogu doći iznad uređaja.

Stara oprema

Usklađenost s Direktivom o električnom i elektroničkom otpremom (WEEE) i zbrinjavanju otpada:



Ovaj proizvod usklađen je s EU Direktivom WEEE (2012/19/EU). Ovaj proizvod nosi klasifikacijsku oznaku za električni i elektronski otpad (WEEE).

Ovaj je proizvod proizveden s visokokvalitetnim dijelovima i materijalima koji se mogu ponovno upotrijebiti i prikladni su za reciklažu. Ne odlažite otpadne uređaje s normalnim otpadom iz kućanstva i drugim otpadom na kraju servisnog vijeka. Odnosite ga u sabirni centar za recikliranje električne i elektroničke opreme. Obratite se lokalnim vlastima da biste saznali više informacija o sabirnim centrima.

Usklađenost s Direktivom o zabrani uporabe određenih opasnih tvari u električnoj i elektroničkoj opremi (RoHS):

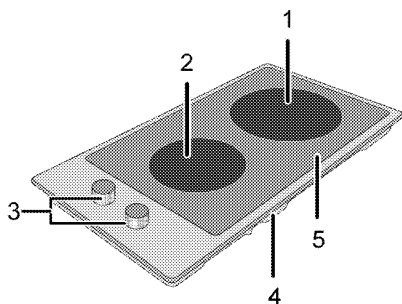
Proizvod koji ste kupili usklađen je s EU Direktivom RoHS (2011/65/EU). Ne sadrži štetne i zabranjene materijale navedene u Direktivi.

Odlaganje materijala pakiranja

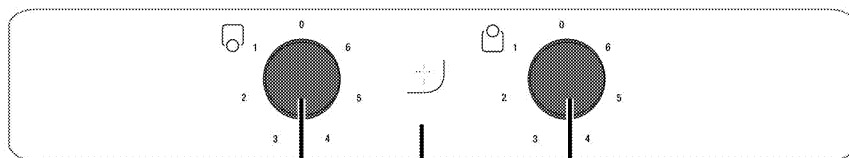
- Električni aparati su opasni za djecu. Držite materijale pakiranja na sigurnom mjestu izvan domašaja djece. Materijali pakiranja proizvoda su proizvedeni od recikliranih materijala. Odložite ih pravilno i sortirajte u skladu s uputama o odlaganju recikliranog otpada. Ne odlažite ih s uobičajenim otpadom iz kućanstva.

2 Opće informacije

Pregled



- | | | | |
|---|----------------------------------|---|---------------------|
| 1 | Ploča za kuhanje s jednim krugom | 3 | Spojnica za montažu |
| 2 | Kontrolna ploča | 4 | Poklopac osnove |



- | | | | |
|---|---|---|--|
| 1 | Ploča za kuhanje s jednim krugom Naprijed | 3 | Ploča za kuhanje s jednim krugom Nazad |
| 2 | Svjetlo za oznaku da je grijaća ploča topla | | |

Tehničke specifikacije

Napon/frekvencija	220-240 V ~ 50 Hz
Ukupna potrošnja energije	2,9 kW
Osigurač	min. 16 A
Vrsta / presjek kabela	H05RR-FG 3 x 1,5 mm ²
duljina kabela	max. 2 m
Vanjske dimenzije (visina/širina/dubina)	75 mm/288 mm/510 mm
Dimenzije za instalaciju (širina/dubina)	268 mm/490 mm
Plamenici	
Naprijed	Ploča za kuhanje s jednim krugom
Dimenzija	140 mm
Snaga	1200 W
Nazad	Ploča za kuhanje s jednim krugom
Dimenzija	180 mm
Snaga	1700 W



Tehničke specifikacije mogu biti promijenjene bez prethodne obavijesti da bi se poboljšala kvaliteta proizvoda.



Slike u ovom priručniku su shematske i možda ne odgovaraju u potpunosti vašem proizvodu.



Vrijednosti navedene na oznakama proizvoda ili u njegovoj popratnoj dokumentaciji su dobivene u laboratorijskim uvjetima u skladu s odgovarajućim standardima. Ovisno o uvjetima rada i okoline proizvoda, te vrijednosti mogu biti različite.

3 Instalacija

Proizvod mora ugraditi kvalificirana osoba u skladu s važećim zakonima. Inače će jamstvo biti poništeno. Proizvođač neće biti odgovoran za oštećenja nastala zbog postupaka koje vrše neovlaštene osobe i to može poništiti jamstvo.



Priprema lokacije i instalacija struje za proizvod su odgovornost kupca.



OPASNOST:

Za instalaciju, uređaj mora biti spojen u skladu sa svim lokalnim zakonima o plinu i/ili električnoj energiji.



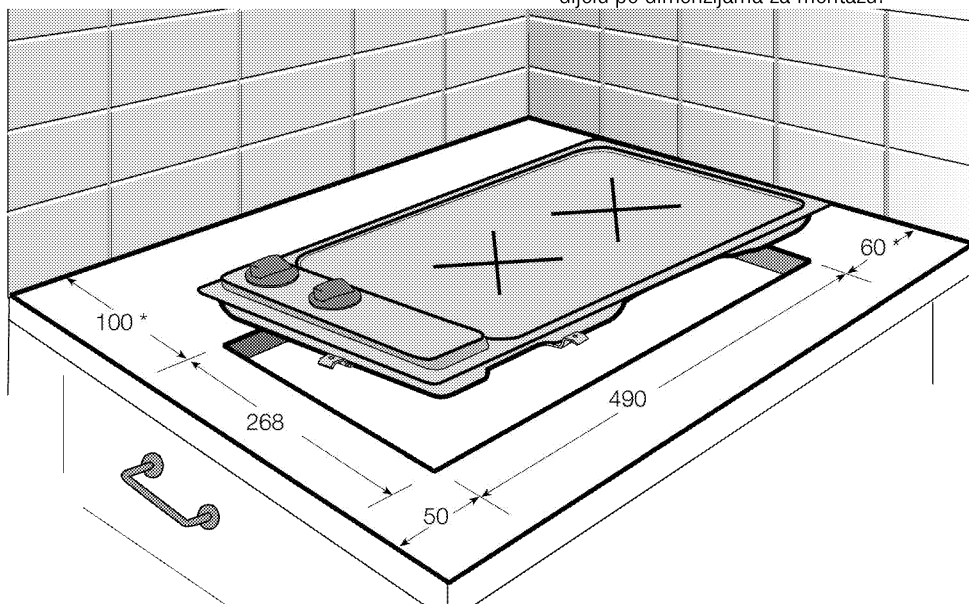
OPASNOST:

Prije instalacije, vizualno provjerite ima li proizvod nekih oštećenja. Ako ima, nemojte ga instalirati. Oštećeni proizvodi su rizik za vašu sigurnost.

Prije instalacije

Grijaća ploča je napravljena za instalaciju u komercijalnu gornju radnu ploču. Između jedinice i zidova kuhinje se mora ostaviti sigurnosna razdaljina. Pogledajte sliku (vrijednosti u mm).

- Također se može koristiti u samostojećem položaju. Ostavite minimalnu udaljenost od 750 mm iznad površine grijaće ploče.
- (*) Ako se napa za štednjak treba montirati iznad štednjaka, pogledajte upute proizvođača nape vezano za visinu montaže (min. 650 mm).
- Uklonite materijale pakiranja i blokade za transport.
- Površine, sintetički laminati i ljepila koja se koriste moraju biti otporni na toplinu (100 °C minimum).
- Radna površina mora biti poravnata i učvršćena horizontalno.
- Izrežite otvor za grijaću ploču na radnom dijelu po dimenzijama za montažu.



* min.

Montaža i spajanje

- Proizvod se smije montirati i spajati samo u skladu sa zakonom propisanim pravilima instalacije.



Ne instalirajte grijaću ploču na mjesto s oštrim rubovima ili kutovima. Postoji opasnost od loma staklokeramičke površine!

Elektroinstalacije

Spojite proizvod na uzemljenu utičnicu/vod zaštićenu osiguračem odgovarajućeg kapaciteta kako je navedeno u tablici "Tehničke specifikacije". Neka uzemljenje izvede kvalificirani električar dok koristite proizvod sa ili bez transformatora. Naša tvrtka neće biti odgovorna za bilo kakvu štetu nastalu zbog uporabe proizvoda bez uzemljenja u skladu s lokalnim zakonima.



OPASNOST:

Proizvod smije spojiti na napajanje samo ovlaštena osoba. Razdoblje jamstva proizvoda počinje tek nakon pravilne instalacije. Proizvođač neće biti odgovoran za oštećenja nastala zbog postupaka koje vrše neovlaštene osobe.



OPASNOST:

Kabel napajanja ne smije biti stegnut, presavijen ili stisnut ili u dodiru s vrućim dijelovima uređaja. Oštećeni kabel napajanja mora zamijeniti kvalificirani električar. U suprotnom, postoji opasnost od električnog udara, kratkog spoja ili požara!

- Spoj mora biti u skladu s nacionalnim zakonima.
- Podaci napajanja moraju odgovarati podacima navedenim na tipskoj pločici jedinice. Tipska pločica se nalazi sa stražnje strane kućišta proizvoda.
- Kabel napajanja na vašem proizvodu mora biti u skladu s tablicom "Tehničke specifikacije".



OPASNOST:

Prije početka bilo kakvog rada na električnim instalacijama, molimo ne otpajajte proizvod s napajanja. Postoji opasnost od strujnog udara!



Utikač na kabelu napajanja mora biti lako dostupan nakon instalacije (ne provodite iznad plamenika).

Uključite žicu napajanja u utičnicu.

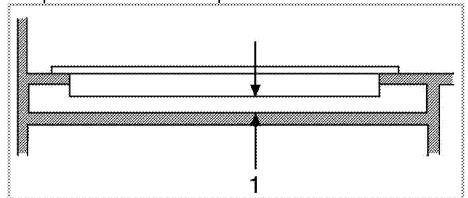
Instaliranje proizvoda

- Pripremite radnu površinu prema dimenzijama za instalaciju u korisničkom priručniku.
- Da biste spriječili ulazak stranih tijela i tekućine između grijaće ploče i radne ploče, stavite kit dostavljen u pakiranju na rubove kućišta na radnoj ploči prije instalacije ali pazite da se kod ne prelijeva.
- Stavite plamenik na radnu površinu tako da kontrolne tipke budu okrenute prema naprijed.



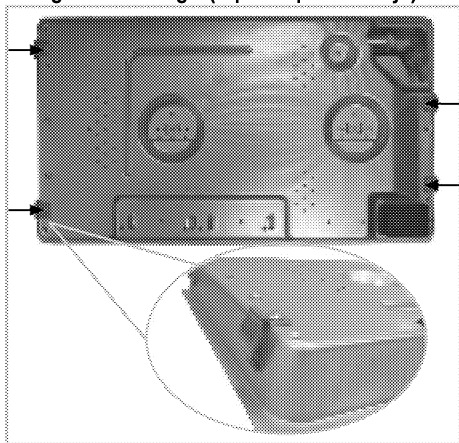
Kod montaže grijaće ploče na kuhinju, mora se instalirati polica da bi odvojila kuhinju od grijaće ploče kako je ilustrirano na gornjoj slici. To nije potrebno kad se instalira na ugrađenu pećnicu.

» Ako je moguće dodirnuti donju stranu proizvoda jer je instaliran na ladicu, ovaj dio mora biti pokriven drvenom pločom.



1 min. 50 mm

» Pogled odostraga (rupe za povezivanje)



Spojnice za instalaciju na plamenik ce biti isporučene.

Spajanje na različite rupe nije dobra praksa u smislu sigurnosti jer to može oštetiti plinski i električni sustav.

Zadnja provjera

1. Uključite kabel napajanja i uključite osigurač uređaja.
2. Provjerite funkcije.

Budući prijevoz

- Sačuvajte originalni karton proizvoda i prevozite proizvod u njemu. Slijedite upute na kartonu. Ako nemate originalni karton, spakirajte proizvod u najlon sa zračnim mjehurićima i čvrsto ga zalijepite trakom.



Provjerite opći izgled vašeg proizvoda i pogledajte ima li oštećenja do kojih je došlo tijekom transporta.

4 Pripreme

Savjeti za uštedu energije

Sljedeći savjeti će vam pomoći u uporabi Vašeg uređaja na ekološki način i u uštedi energije:

- Otopite smrznutu hranu prije kuhanja.
- Koristite lonce/posude s poklopcima za kuhanje. Ako nema poklopca, potrošnja energije može porasti 4 puta.
- Odaberite plamenik koji je podesan za uporabu s veličinom dna lonca. Uvijek birajte točnu veličinu lonca za vaše jelo. Za veće lonce je potrebno više energije.
- Pazite da koristite lonce s ravnim dnom kad kuhate s električnim plamenicima. Lonci s debelim dnom će bolje provoditi toplinu. Možete uštedjeti energiju i za 1/3.
- Posude i lonci moraju biti kompatibilni sa zonama za kuhanje. Dno posuda ili lonaca ne smije biti manje od grijače ploče.

- Držite zone za kuhanje i dno lonaca čistim. Prljavština će smanjiti provođenje energije između zone za kuhanje i dna lonca.
- Za dulje kuhanje, isključite zonu za kuhanje 5 ili 10 minuta prije kraja vremena kuhanja. Možete postići uštedu energije i do 20% ako koristite preostalu toplinu.

Prva uporaba

Prvo čišćenje proizvoda



Neki deterdženti ili sredstva za čišćenje mogu oštetiti površinu.

Ne koristite agresivna sredstva za čišćenje, prašak/kreme za čišćenje ili bilo kakve oštre predmete.

1. Uklonite sve materijale pakiranja.
2. Obrišite površine proizvoda mokrom krpom ili spužvom i osušite krpom.

5 Kako koristiti grijaću ploču

Opće informacije o kuhanju



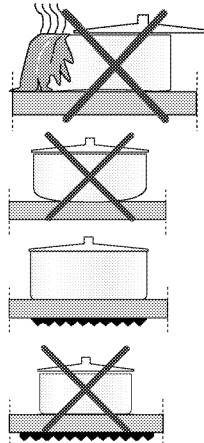
Nikada nemojte u tavu stavljati više od jedne trećine ulja. Ne ostavljajte plamenik bez nadzora kad grijete ulje. Pregrijano ulje predstavlja opasnost od požara. **Nikada nemojte pokušavati ugasiti vatru vodom!** Kada se ulje zapali, pokrijte požar dekom ili mokrom krpom. Isključite plamenik ako je to sigurno i pozovite vatrogasce.

- Prije prženja hrane, uvijek je dobro osušite i nježno stavite na ulje. Pazite da se prije prženja hrana otopila do kraja.
- Ne pokrivajte posudu kad zagrijavate ulje.
- Stavljajte tave i lonce na takav način da njihove drške ne prelaze preko grijaće ploče tako da biste spriječili grijanje ručki. Ne stavljajte na grijaću ploču posude koje ne stoje u ravnoteži i koje se lako nagnu.
- Ne stavljajte prazne posude i tave na zone za kuhanje koje su uključene. Oni se mogu oštetiti.
- Uključivanje zone za kuhanje bez posude ili tave na njoj može uzrokovati oštećenje uređaja. Isključite zone za kuhanje nakon dovršetka kuhanja.
- Kako površina uređaja može biti topla, ne stavljajte plastične ili aluminijske proizvode na njega.
Odmah očistite s površine bilo kakve istopljene takve materijale.
Takve posude se ne smiju koristiti ni za držanje hrane.
- Koristite samo tave i posude s ravnim dnom.
- Stavite odgovarajuću količinu hrane u tave i lonce. Na taj način nećete morati bespotrebno čistiti ako hrana pokipi.
Ne stavljajte poklopce lonaca i tava na zone za kuhanje.
Stavljajte tave tako da budu na sredini zone za kuhanje. Kad želite pomaknuti tavu na drugu zonu kuhanja, podignite je i stavite na

željenu zonu kuhanja umjesto da je povlačite.

Savjeti za staklokeramičke ploče

- Staklokeramička površina je otporna na toplinu i na nju ne utječu velike razlike u temperaturi.
- Ne koristite staklokeramičku površinu kao mjesto za pohranu ili kao dasku za rezanje.
- Koristite samo tave i lonce sa strojno obrađenim dnom. Oštri rubovi uzrokuju ogrebotine na površini.
- Ne koristite aluminijske lonce i tave. Aluminij oštećuje staklokeramičku površinu.

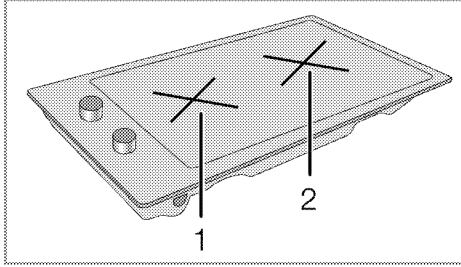


Prolivena hrana može oštetiti staklokeramičku površinu i uzrokovati požar.

Ne koristite posude s udubljenim ili ispupčenim dnom.

Koristite samo tave i lonce sa ravnim dnom. Oni osiguravaju lakši prijenos topline. Ako je promjer tave premali, energija će se izgubiti.

Uporaba grijaćih ploča



- 1 Ploča za kuhanje s jednim krugom 14-16 cm
- 2 Ploča za kuhanje s jednim krugom 18-20 cm je popis preporučenih promjera posuda koje se trebaju koristiti na odgovarajućim plamenicima.



OPASNOST:

Pazite da nijedan predmet ne padne na plamenik. Čak i mali predmeti, kao što je posuda za sol, mogu oštetiti plamenik.

Ne koristite napukle plamenike. Kroz te pukotine može curiti voda i uzrokovati kratki spoj.

U slučaju bilo kakvog oštećenja na površini (npr. vidljive pukotine), odmah isključite uređaj da smanjite opasnost od električnog udara.

Staklokeramička ploča je opremljena svjetlom rada i oznakom upozorenja za toplu zonu. Oznaka upozorenja za toplu zonu označava položaj aktivne grijaće ploče i ostaje uključena nakon isključenja grijaće ploče. Kad se temperatura grijaće ploče ohladi do razine kada se može dodirnuti rukom, indikator upozorenja se isključuje. Bljeskanje oznake upozorenja grijaće ploče nije kvar.

Uključivanje staklokeramičkih zona za kuhanje

Koristite tipke zona za kuhanje da biste upravljali staklokeramičkim zonama za kuhanje. Pomaknite tipku grijaće ploče do odgovarajuće razine da biste dobili željenu razinu kuhanja.

Razina kuhanja	1	2 — 3	4 — 6
	grijanje	prokuhavanje, održavanje	kuhanje, prženje

Isključivanje staklokeramičkih zona za kuhanje

Okrenite gumb grijaće ploče na (gornji) položaj ISKLJUČENO.

6 Održavanje

Opće informacije

Vijek trajanja proizvoda će se produljiti, a česti problemi će se smanjiti, ako se proizvod redovito čisti.



OPASNOST:

Isključite uređaj iz struje prije početka održavanja i čišćenja.
Postoji opasnost od strujnog udara!



OPASNOST:

Pustite da se uređaj ohladi prije čišćenja.
Vruće površine mogu uzrokovati opekline!

- Temeljito očistite proizvod nakon svake uporabe. Na taj ćete način uvijek moći lakše ukloniti ostatke od kuhanja, pa neće zagorjeti kad sljedeći put budete koristili uređaj.
- Za uređaja jedinice nisu potrebna posebna sredstva za čišćenje. Koristite toplu vodu s tekućinom za pranje, meku krpu ili spužvu i obrišite je suhom krpom.
- Uvijek pazite da dobro obrišete višak tekućine nakon čišćenja prolivene hrane.
- Ne koristite sredstva za čišćenje koja sadrže kiselinu ili klorid za čišćenje površine od nehrđajućeg čelika i inoksa i ručku. Za čišćenje tih dijelova koristite meku krpu s tekućim deterdžentom (neabrazivnom), pazeći da brišete u jednom smjeru.



Neki deterdženti ili sredstva za čišćenje mogu oštetiti površinu.

Ne koristite agresivna sredstva za čišćenje, prašak/krema za čišćenje ili bilo kakve oštre predmete.



Nemojte koristiti parne čistače za čišćenje uređaja jer to može uzrokovati strujni udar.

Čišćenje ploče za kuhanje

Staklokeramičke površine

Obrišite staklokeramičku površinu pomoću komada krpe namočenog u hladnu vodu na način da ne ostavlja sredstvo za čišćenje na njoj. Osušite

suhom i mekom krpom. Ostaci mogu uzrokovati oštećenja staklokeramičke površine kad idući put budete koristili plamenik.

Osušeni ostaci na staklokeramičkoj površini se ni u kojem slučaju ne smiju strugati oštricama kuka, staklenom vunom ili sličnim alatima.

Uklonite mrlje od kamenca (žute mrlje) malom količinom sredstva za uklanjanje kamenca kao što su ocat ili sok od limuna. Možete također koristiti odgovarajuće komercijalno dostupne proizvode.

Ako je površina jako prljava, nanesite sredstvo za čišćenje na spužvu i čekajte da se dobro upije. Zatim očistite površinu ploče za kuhanje mokrom krpom.



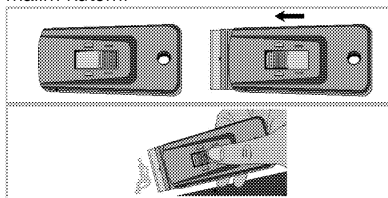
Hrana zasnovana na šećeru, kao što su gusta krema i sirup se moraju odmah očistiti a ne čekati da se površina ohladi. Inače se staklokeramička površina može trajno oštetiti.

S vremenom, na premazima ili drugim površinama može malo izbljediti boja. To neće utjecati na rad proizvoda.

Blijeda boja i mrlje na staklokeramičkoj površini u normalno stanje, a ne greška.

Strugalica za čišćenje staklokeramičke površine

Očistite prolivene ostatke i zalijepljenu prljavštinu komercijalno dostupnom strugalicom koja je posebno dizajnirana za staklokeramičke površine. Da biste izbjegli ogrebotine, držite strugalicu pod malim kutom.



Čišćenje kontrolne ploče

Očistite kontrolnu ploču i kontrolne tipke mokrom krpom i osušite ih.



Ne skidajte kontrolne tipke da biste očistili kontrolnu ploču.

Kontrolna ploča se može oštetiti!

7 Otklanjanje kvarova

Uređaj emitira metalne zvukove dok grije i dok se hladi.

- Kad se metalni dijelovi zagriju, mogu se širiti i uzrokovati buku. >>> *To nije kvar.*

Uređaj ne radi.

- Možda je glavni osigurač pokvaren ili je izbacio. >>> *Provjerite osigurače na ploči s osiguračima. Po potrebi ih zamijenite ili ponovno uključite.*
- Uređaj nije uključen u (uzemljenu) utičnicu. >>> *Provjerite spoj utikača.*



Konzultirajte se s ovlaštenim serviserom ili dobavljačem gdje ste kupili uređaj ako ne možete riješiti problem iako ste primijenili sve upute u ovom dijelu. Nikada ne pokušavajte samo popraviti pokvareni proizvod.

Перед началом эксплуатации прочитайте это руководство пользователя!

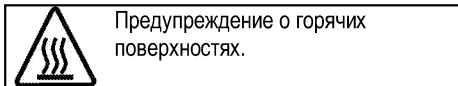
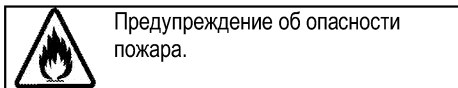
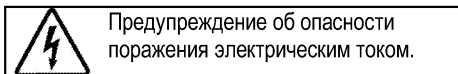
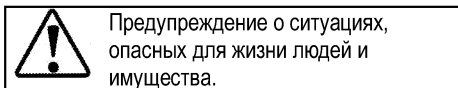
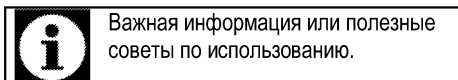
Уважаемый покупатель!

Спасибо за то, что отдали предпочтение продукции компании «». Надеемся, что это высококачественное изделие, изготовленное с применением самых современных технологий, будет демонстрировать наилучшие результаты эксплуатации. Для этого перед началом эксплуатации внимательно прочитайте это руководство и всю сопутствующую документацию и используйте его в дальнейшем в качестве справочника. Если вы передаете изделие новому владельцу, передайте ему и руководство пользователя. Придерживайтесь всех предупреждений и информации, содержащихся в руководстве.

Помните, что данное руководство пользователя также может быть применимо к некоторым другим моделям. Различия между моделями будут указаны в руководстве.

Пояснения к символам

В данном руководстве пользователя используются следующие символы:



Производитель: компания Арчелик (Arcelik A.S.)
Юридический адрес: Караач Джаддеси № 2-6 34445
Сютлюдже/Стамбул/Турция



Произведено в Турции

<u>1</u>	<u>Важные инструкции и предупреждения по технике безопасности и охране окружающей среды</u>	<u>4</u>
	Общие правила техники безопасности	4
	Электробезопасность	4
	Безопасность изделия	6
	Использование по назначению	7
	Безопасность детей	7
	Утилизация старого изделия	8
	Утилизация упаковочных материалов	8
<u>2</u>	<u>Общие сведения</u>	<u>9</u>
	Обзор	9
	Технические характеристики	10
<u>3</u>	<u>Установка</u>	<u>11</u>
	До начала установки	11
	Установка и подключение	13
	Для будущей транспортировки	14
<u>4</u>	<u>Подготовка к эксплуатации</u>	<u>15</u>
	Рекомендации по экономии электроэнергии	15
	Подготовка к эксплуатации	15
	Очистка прибора перед началом эксплуатации	15
<u>5</u>	<u>Правила эксплуатации варочной панели</u>	<u>16</u>
	Общие сведения о приготовлении пищи ..	16
	Эксплуатация варочных панелей	17
<u>6</u>	<u>Уход и техническое обслуживание</u>	<u>18</u>
	Общие сведения	18
	Чистка варочной панели	18
	Чистка панели управления	19
<u>7</u>	<u>Поиск и устранение неисправностей</u>	<u>20</u>

1 Важные инструкции и предупреждения по технике безопасности и охране окружающей среды

В данном разделе содержатся инструкции по технике безопасности, которые помогут вам избежать травм и повреждений. При несоблюдении этих правил все гарантийные обязательства аннулируются.

Общие правила техники безопасности

- Это изделие может эксплуатироваться детьми старше 8 лет и людьми с ограниченными физическими, сенсорными или умственными способностями, а также лицами, не имеющими достаточного опыта и знаний, только в том случае, если они находятся под наблюдением лиц, ответственных за их безопасность, или проинструктированы на предмет безопасного использования изделия и осознают связанные с этим риски. Следите за тем, чтобы дети не играли с устройством. Дети могут чистить и обслуживать устройство только под наблюдением.
- Работы по установке и ремонту должны выполняться

только представителями авторизованной сервисной службы. Производитель не несет ответственности за повреждения в результате выполнения работ лицами, не имеющими соответствующей квалификации. Это также может привести к аннулированию гарантии. Перед установкой внимательно прочтите инструкции.

- Не пользуйтесь неисправным изделием, а также при наличии на нем заметных повреждений.
- Проверяйте, чтобы после каждого использования переключатели функций изделия были выключены.

Электробезопасность

- В случае неисправности следует прекратить эксплуатацию изделия, пока оно не будет отремонтировано в авторизованном сервисном центре. Существует риск поражения электрическим током!
- Изделие можно подключать только к заземленной розетке/линии, напряжение и уровень защиты которой

соответствуют параметрам, указанным в разделе «Технические характеристики».

Установку заземления должен выполнять квалифицированный специалист (при использовании прибора с трансформатором или без него). Наша компания не несет ответственности за какие-либо проблемы, возникшие вследствие использования изделия без заземления, выполненного в соответствии с местными нормами и правилами.

- Никогда не лейте воду на изделие во время мытья! Существует риск поражения электрическим током!
- Категорически запрещается дотрагиваться к штепсельной вилке влажными руками! Не тяните за кабель питания. Вынимая вилку из розетки, беритесь непосредственно за вилку.
- Прежде чем приступать к установке, техническому обслуживанию, чистке и ремонту, изделие необходимо отключить от электросети.
- Во избежание несчастных случаев при повреждении кабеля питания его замену

должен выполнять производитель, его специалист по сервису или лицо, имеющее аналогичную квалификацию.

- Электроприбор следует устанавливать таким образом, чтобы его можно было полностью отсоединить от сети электропитания. Отсоединение должно осуществляться с помощью штепсельной вилки или выключателя, встроенного в фиксированную сеть электропитания, в соответствии со строительными нормативами и правилами.
- Все работы с электрическим оборудованием и системами должны выполняться только квалифицированными специалистами, допущенными к выполнению таких работ.
- В случае какого-либо повреждения выключите прибор и отсоедините его от электросети. Для этого выключите общий предохранитель в доме.
- Проверьте, соответствуют ли изделию номинальные характеристики предохранителя.

Безопасность изделия

- Данное изделие и его внешние части нагреваются в процессе использования. Будьте осторожны, не касайтесь нагревательных элементов. Детей младше 8 лет следует допускать к духовому шкафу только под постоянным присмотром взрослых.
- Не пользуйтесь прибором, находясь под воздействием алкоголя или лекарственных препаратов, снижающих скорость реакции или нарушающих координацию движений.
- Будьте осторожны при использовании спиртных напитков в приготавливаемых блюдах. При высокой температуре спирт испаряется и при соприкосновении с горячими поверхностями может загореться и вызвать пожар.
- Не располагайте рядом с прибором легковоспламеняющиеся материалы, так как во время работы его боковые поверхности могут сильно нагреваться.
- Следите за тем, чтобы вентиляционные отверстия были полностью открыты.
- Не используйте для чистки устройства пароочистители, поскольку это может привести к поражению электрическим током.
- При приготовлении пищи с жиром или маслом не оставляйте варочную панель без присмотра, поскольку это может привести к возгоранию. Категорически ЗАПРЕЩАЕТСЯ гасить такое пламя водой; следует выключить устройство и накрыть огонь, например, крышкой или противопожарным покрытием.
- Опасность пожара: не храните предметы на конфорках.
- Если поверхность треснула, выключите устройство во избежание поражения электрическим током.
- Конструкция данного устройства не предусматривает управление им с помощью внешнего таймера или отдельной системы дистанционного управления.
- Следите за тем, чтобы дно посуды и поверхность конфорки были сухими, так как посуда может подпрыгивать под давлением пара, который образуется при нагревании влажных поверхностей.

- Используйте только защитные ограждения для плиты, разработанные производителем вашего кухонного оборудования или указанные производителем в руководстве пользователя вашего оборудования как подходящие для него, либо же защитные ограждения, встроенные в ваше кухонное оборудование производителем. Использование несоответствующих защитных ограждений может привести к несчастному случаю.

Для обеспечения пожарной безопасности изделия соблюдайте нижеуказанные правила.

- Убедитесь, что вилка плотно вставлена в розетку и не искрит.
- Запрещается использовать поврежденный либо обрезанный кабель, а также удлинитель; можно пользоваться только оригинальным кабелем.
- Убедитесь, что в розетке, к которой подключается изделие, отсутствуют жидкость или влага.

Использование по назначению

- Данное изделие предназначено исключительно для бытового использования. Запрещается использовать прибор в коммерческих целях.
- Данное изделие предназначено исключительно для приготовления пищи. Его запрещено использовать для других целей, например, для обогрева помещения."
- Производитель не несет ответственности за повреждения в результате использования изделия не по назначению или неправильного обращения с ним.

Безопасность детей

- Доступные части прибора могут сильно нагреваться при использовании. Не допускайте к ним детей.
- Упаковочные материалы опасны для детей. Храните упаковочные материалы в недоступном для детей месте. Утилизируйте все упаковочные материалы в соответствии с нормами по охране окружающей среды.
- Электрическое оборудование представляет опасность для детей. Во время работы

духового шкафа не допускайте к нему детей, а также не разрешайте им играть с ним.

- Не размещайте над прибором предметы, которые дети могут попытаться достать.

Утилизация старого изделия **Соответствие Директиве ЕС об утилизации электрического и электронного оборудования (WEEE) и утилизация вышедшего из употребления оборудования:**



Данное изделие соответствует Директиве ЕС об утилизации электрического и электронного оборудования (2012/19/EU).

Данное изделие имеет маркировку, указывающую на утилизацию его как электрического и электронного оборудования (WEEE).

Это изделие произведено из высококачественных деталей и материалов, которые подлежат повторному использованию и переработке. Поэтому не выбрасывайте изделие с обычными бытовыми отходами после завершения его эксплуатации. Его следует сдать в соответствующий центр по утилизации электрического и электронного оборудования. О

местонахождении таких центров вы можете узнать в местных органах власти.

Соответствие Директиве ЕС об ограничении содержания вредных веществ (RoHS):

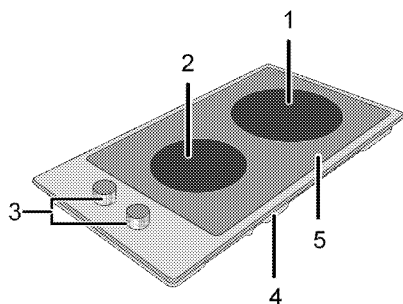
Приобретенное вами изделие соответствует Директиве ЕС о правилах ограничения содержания вредных веществ (2011/65/EU). Оно не содержит вредных и запрещенных материалов, указанных в Директиве.

Утилизация упаковочных материалов

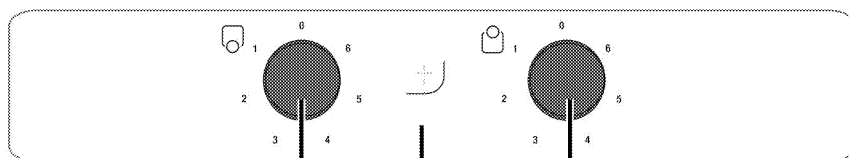
- Упаковочные материалы опасны для детей. Храните упаковочные материалы в безопасном и недоступном для детей месте. Упаковочные материалы изделия изготовлены из материалов, подлежащих вторичной переработке. Утилизируйте их соответствующим образом и сортируйте согласно инструкций по обращению с отходами, подлежащими вторичной переработке. Не утилизируйте их вместе с обычными бытовыми отходами.

2 Общие сведения

Обзор



- | | | | |
|---|----------------------------|---|-----------------|
| 1 | Одноконтурная зона нагрева | 3 | Монтажный зажим |
| 2 | Панель управления | 4 | Основная крышка |



- | | | | |
|---|---|---|-----------------------------------|
| 1 | Одноконтурная зона нагрева Передняя | 3 | Одноконтурная зона нагрева Задняя |
| 2 | Индикаторная лампочка нагрева поверхности | | |

Технические характеристики

Напряжение/частота	220-240 В ~ 50 Гц
Общая потребляемая мощность	2.9 кВт
Предохранитель	мин. 16 А
Тип кабеля/сечение	H05RR-FG 3 x 1,5 мм ²
Длина кабеля	макс. 2 м
Габариты (высота / ширина / глубина)	75 мм/288 мм/510 мм
Установочные размеры (ширина/глубина)	268 мм/490 мм
Конфорки	
Передняя	Одноконтурная зона нагрева
Размеры	140 мм
Мощность	1200 Вт
Задняя	Одноконтурная зона нагрева
Размеры	180 мм
Мощность	1700 Вт



При усовершенствовании качества продукции технические характеристики могут быть изменены без предварительного уведомления.



Иллюстрации в данном руководстве являются схематичными и могут несколько отличаться от конкретного изделия.



Значения, указанные на этикетках изделия или в сопроводительной документации, получены в лабораторных условиях согласно соответствующим стандартам. Эти данные могут быть иными в зависимости от условий эксплуатации изделия.

3 Установка

Прибор должен устанавливаться квалифицированным специалистом в соответствии с действующими нормами и правилами. В противном случае гарантия аннулируется. Производитель не несет ответственности за повреждения в результате выполнения работ лицами, не имеющими соответствующей квалификации. Это может привести к аннулированию гарантии.



Подготовка места установки, электрического оборудования обеспечивается покупателем.



ОПАСНО:

Бытовой прибор следует устанавливать в соответствии со всеми местными нормами по подключению газового и/или электрического оборудования.



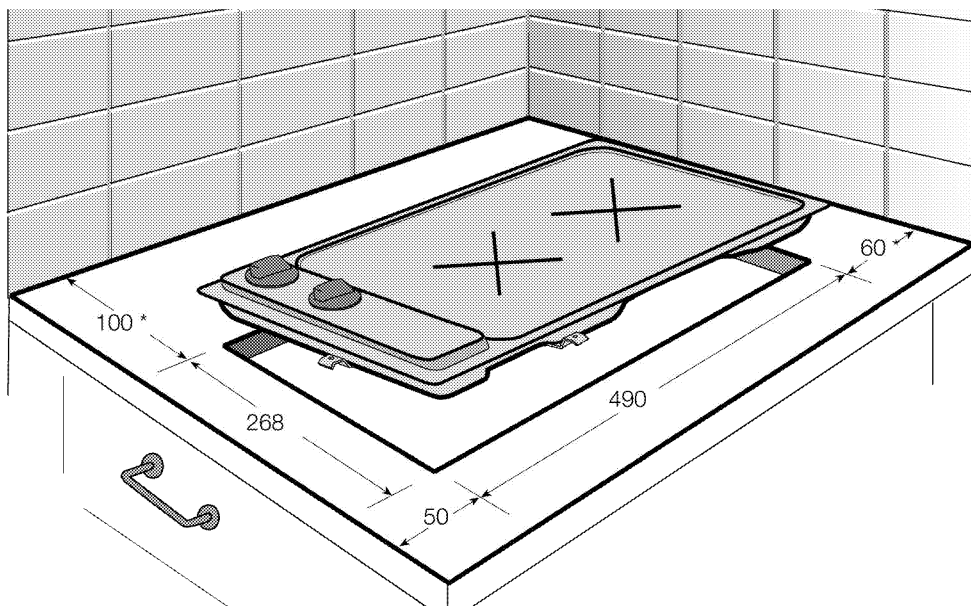
ОПАСНО:

Прежде чем приступить к установке, визуально проверьте отсутствие внешних дефектов духового шкафа. При наличии дефектов не устанавливайте его. Поврежденные электроприборы представляют собой угрозу вашей безопасности.

До начала установки

Варочная панель предназначена для установки в стандартную столешницу фабричного изготовления. Между бытовой техникой, стенами кухни и мебелью следует оставить определенное безопасное расстояние. См. рисунок (размеры приведены в миллиметрах).

- Плита может также стоять отдельно. Обеспечьте свободное расстояние не менее 750 мм от поверхности плиты до поверхностей над ней.
- В случае установки надплитного воздухоочистителя соблюдайте инструкции его производителя в отношении высоты монтажа устройства (мин. 650 мм).
- Снимите все упаковочные материалы и фиксаторы для транспортировки.
- Используемые поверхности, синтетические покрытия и клеи должны быть термостойкими (не менее 100 °С).
- Столешница должна быть выровнена по уровню и закреплена.
- Сделайте вырез в столешнице в соответствии с установочными размерами варочной панели.



* МИН.

Установка и подключение

- Прибор следует устанавливать и подключать в соответствии с действующими нормами и правилами.



Не устанавливайте варочную панель в местах с острыми краями или углами. Стеклокерамическая поверхность может разбиться!

Подключение к электросети

Подключайте прибор к розетке или линии с заземлением, защищенную предохранителем, мощность которого соответствуют данным, приведенным в таблице "Технические характеристики". Установку заземление должен выполнять квалифицированный специалист (при использовании прибора с трансформатором или без него). Наша компания не несет ответственности за ущерб, понесенный вследствие использования прибора без заземления, выполненного в соответствии с местными нормами и правилами.



ОПАСНО:

Подключение прибора к электросети должен выполнять квалифицированный специалист, имеющий право на выполнение таких работ. Гарантийный период начинается только после правильной установки. Производитель не несет ответственности за повреждения в результате выполнения работ лицами, не имеющими соответствующей квалификации.



ОПАСНО:

Шнур питания не должен быть сдавлен, изогнут или зажат, а также не должен соприкасаться с нагревающимися компонентами изделия.

Замену поврежденного шнура питания должен выполнять квалифицированный электрик. В противном случае это может привести к поражению электрическим током, короткому замыканию или возгоранию!

- Подключение должно выполняться в соответствии с национальными нормами.
- Параметры электрической сети должны соответствовать данным, указанным на паспортной табличке прибора. Паспортная табличка находится на задней стороне корпуса прибора.
- Шнур питания прибора должен соответствовать параметрам, указанным в таблице "Технические характеристики".



ОПАСНО:

Перед выполнением каких-либо электромонтажных работ отключите прибор от электрической сети. Существует риск поражения электрическим током!



К штепсельной вилке шнура питания после установки должен быть обеспечен легкий доступ (не прокладывайте шнур над варочной поверхностью).

Включите шнур питания в розетку.

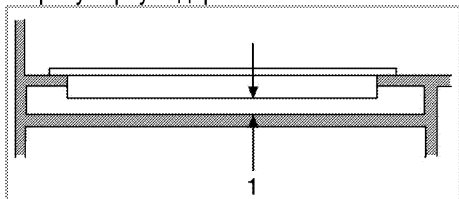
Инструкция по монтажу

1. Подготовьте столешницу в соответствии с монтажными размерами, указанными в инструкции по эксплуатации.
2. Для предотвращения попадания посторонних веществ и жидкостей между варочной панелью и столешницей перед установкой нанесите на столешницу герметик из комплекта поставки по контуру корпуса варочной панели, не допуская при этом наложения слоев герметика.
3. Положите варочную панель на столешницу так, чтобы кнопки управления были спереди.



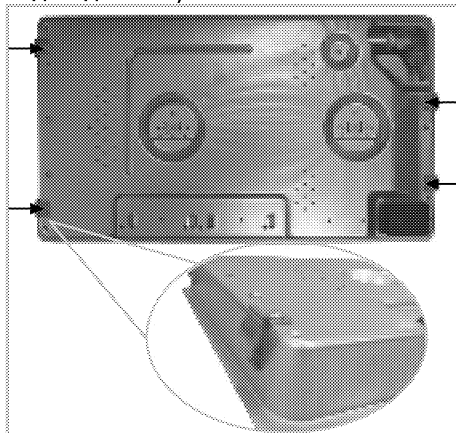
Если варочная панель устанавливается на кухонный шкафчик, необходимо отделить ее от шкафчика полкой, как показано на рисунке выше. При установке над встроенной духовкой в этом нет необходимости.

» Если под варочной панелью находится выдвижной ящик, что позволяет дотронуться до нее снизу, необходимо закрыть нижнюю сторону корпуса деревянной панелью.



1 мин. 50 мм

» Вид сзади (отверстия для подсоединения)



Монтажные зажимы поставляются установленными на варочную поверхность.

Не рекомендуется использовать для присоединения другие отверстия, так при этом можно повредить газовую и электрическую системы.

Окончательная проверка

1. Включите вилку шнура питания в розетку и включите предохранитель изделия.
2. Проверьте, произошло ли включение.

Для будущей транспортировки

- Сохраните оригинальную упаковочную коробку и перевозите прибор в ней. Следуйте указаниям, нанесенным на упаковке. Если оригинальная упаковочная коробка не сохранилась, заверните изделие в пузырчатую упаковку или поместите в плотный картон. Надежно заклейте клейкой лентой.



Осмотрите прибор снаружи на предмет возможных повреждений при транспортировке.

4 Подготовка к эксплуатации

Рекомендации по экономии электроэнергии

Эти рекомендации помогут вам использовать изделие экологически чистым способом и экономить электроэнергию.

- Размораживайте замороженные продукты перед приготовлением.
- Готовьте пищу в закрытой посуде. При приготовлении в открытой посуде энергопотребление может возрасти в 4 раза.
- Выбирайте конфорку соответственно размеру дна посуды. Обязательно выбирайте посуду соответственно объему приготовляемого блюда. Чем больше объем посуды, тем выше энергопотребление.
- Для приготовления пищи на электрических конфорках используйте посуду только с плоским дном. Посуда с толстым дном лучше проводит тепло, что позволяет на треть сократить потребление энергии.
- Размер посуды должен соответствовать размеру зон нагрева. Не следует

использовать посуду с дном меньшего диаметра, чем диаметр конфорки.

- Следите за тем, чтобы зоны нагрева и дно посуды были чистыми. Загрязнения ухудшают теплопередачу между зоной нагрева и дном посуды.
- Если блюдо готовится долго, выключайте зону нагрева за 5-10 минут до окончания приготовления. Использование остаточного тепла позволяет сэкономить до 20% электроэнергии.

Подготовка к эксплуатации Очистка прибора перед началом эксплуатации



Некоторые моющие средства и чистящие материалы могут повредить поверхность.

Не используйте для чистки агрессивные моющие средства, чистящие порошки/кремы, а также острые предметы.

1. Снимите все упаковочные материалы.
2. Протрите поверхность прибора влажной тканью или губкой и вытрите насухо.

5 Правила эксплуатации варочной панели

Общие сведения о приготовлении пищи



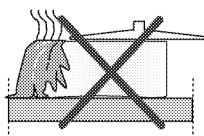
Не заполняйте кастрюлю растительным маслом более чем на одну треть. При нагревании масла не оставляйте варочную панель без присмотра. Остерегайтесь возгорания раскаленных масел. **Не тушите огонь водой!** При возгорании масла накройте посуду одеялом или влажной тканью. По возможности выключите варочную панель и позвоните в пожарную службу.

- Перед жареньем продукты нужно обязательно обсушивать. Опускайте продукты в горячий жир с осторожностью. Замороженные продукты перед жареньем следует полностью разморозить.
- Посуду, в которой разогревается жир, накрывать нельзя.
- Посуду следует ставить на плиту таким образом, чтобы ручки не нагревались над горячей поверхностью плиты. Не ставьте на плиту неустойчивую посуду, которая легко опрокидывается.
- Не ставьте на включенные конфорки пустую посуду – это может привести к ее повреждению.
- Не оставляйте включенными конфорки, на которых нет посуды – это может привести к повреждению плиты. Обязательно выключайте конфорки после окончания приготовления пищи.
- Не ставьте на плиту пластмассовую или алюминиевую посуду, так как на горячей поверхности они могут расплавиться. Расплавившиеся материалы следует сразу же счищать с поверхности. Такую посуду также не следует использовать для хранения пищевых продуктов.

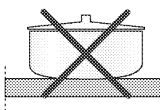
- Можно использовать только посуду с плоским дном.
- Размер посуды должен соответствовать количеству продуктов. Тогда продукты не будут выплескиваться из посуды, и не придется лишний раз мыть плиту. Не кладите на конфорки крышки кастрюль. Размещайте посуду по центру конфорки. Если нужно переместить посуду на другую конфорку, поднимите ее и переставьте. Ни в коем случае не передвигайте посуду по поверхности плиты.

Советы по использованию стеклокерамических варочных панелей

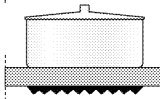
- Стеклокерамическая поверхность устойчива к нагреву и большим перепадам температуры.
- Не кладите на стеклокерамическую поверхность продукты и другие предметы и не используйте ее в качестве разделочной доски.
- Используйте посуду только с гладким дном. Посуда с острыми краями может поцарапать поверхность.
- Не используйте алюминиевую посуду, так как алюминий может повредить стеклокерамическую поверхность.



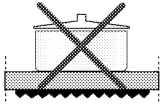
Выплеснувшиеся продукты могут повредить стеклокерамическую поверхность, и тем самым вызвать пожар.



Не используйте посуду с вогнутым или выпуклым дном.

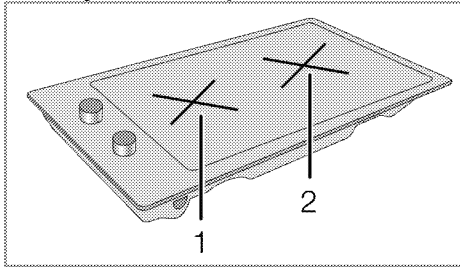


Используйте посуду только с плоским дном. Такая посуда нагревается быстро и равномерно.



Если диаметр посуды слишком мал, энергия будут расходоваться впустую.

Эксплуатация варочных панелей



- 1 Одноконтурная зона нагрева 14-16 см
- 2 Одноконтурная зона нагрева 18-20 см
 список рекомендованных диаметров посуды для использования на соответствующих конфорках.



ОПАСНО:

Следите за тем, чтобы на варочную панель ничего не упало. Даже небольшие предметы (например, солонка) могут повредить варочную панель.

Не пользуйтесь варочной панелью, если на ней есть трещины. В трещины может попасть вода и вызвать короткое замыкание.

При обнаружении на поверхности каких-либо повреждений (например, трещин) немедленно выключите электроприбор во избежание поражения электрическим током.

Стеклокерамическая варочная панель оснащена индикатором питания и индикатором остаточного тепла. Индикатор остаточного тепла указывает, какая зона нагрева включена. После выключения зоны нагрева индикатор остается включенным. Индикатор остаточного тепла погаснет, когда температура зоны нагрева снизится до уровня, при котором ее можно касаться рукой. Мигание индикатора остаточного тепла не является неисправностью.

Включение стеклокерамических зон нагрева

Для управления стеклокерамическими зонами нагрева пользуйтесь их кнопками. Чтобы установить нужный уровень мощности, переведите регулятор зоны нагрева в соответствующее положение.

Уровень мощности	1	2 – 3	4 – 6
	разогревание	кипячение, выдерживание	варка, жарение

Выключение стеклокерамических зон нагрева

Поверните регулятор конфорки в положение «ВЫКЛ.» (вверх).

6 Уход и техническое обслуживание

Общие сведения

Регулярно выполняйте чистку прибора. Это позволит продлить срок его службы, а также избежать многих проблем.



ОПАСНО:

Перед выполнением работ по обслуживанию и чистке отключите прибор от электрической сети. Существует риск поражения электрическим током!



ОПАСНО:

Дайте изделию остыть, прежде чем приступать к чистке. Горячие поверхности могут причинить ожоги!

- Прибор следует тщательно чистить после каждого использования. Так легче удалять остатки пищи, которые могут пригореть при следующем использовании прибора.
- Для чистки прибора не требуются специальные чистящие средства. Прибор можно вымыть теплой водой с добавлением жидким моющего средства, используя мягкую ткань или губку. А затем протереть сухой тканью.
- Обязательно протирайте прибор насухо после чистки и сразу же удаляйте попавшую на него жидкость.
- Не используйте для чистки ручки и поверхностей из нержавеющей стали чистящие средства, содержащими кислоту или хлор. Эти детали можно протирать мягкой тканью, смоченной в жидком моющем средстве (без абразивных добавок), стараясь тереть в одном направлении.



Некоторые моющие средства и чистящие материалы могут повредить поверхность.

Не используйте для чистки агрессивные моющие средства, чистящие порошки/кремы, а также острые предметы.



Не используйте для чистки устройства пароочистители, поскольку это может привести к поражению электрическим током.

Чистка варочной панели

Стеклокерамические поверхности

Протрите стеклокерамическую поверхность тканью, смоченной в холодной воде.

Следите за тем, чтобы на ней не оставалось следов моющего средства. Вытрите поверхность насухо сухой мягкой тканью. Остатки пищи на стеклокерамической поверхности могут повредить ее при следующем включении.

Ни в коем случае не используйте для удаления со стеклокерамической поверхности засохших остатков пищи ножи с зубчатым лезвием, металлические мочалки и т.п.

Известковый налет (желтые пятна) можно удалять средствами, используемыми для удаления накипи, например, столовым уксусом или лимонным соком. Можно также использовать бытовые средства, которые продаются в торговой сети.

Для удаления сильных загрязнений нанесите моющее средство губкой и оставьте на некоторое время для воздействия. Затем очистите поверхность варочной панели влажной тканью.



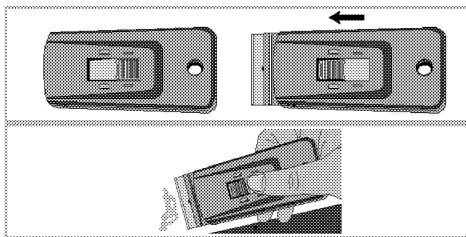
Продукты, содержащие сахар, такие, как крем или сироп, нужно удалять немедленно, не дожидаясь остывания поверхности, так как они могут необратимо повредить стеклокерамическую поверхность.

Со временем может произойти изменение цвета поверхности, однако это никоим образом не влияет на ее работу.

Появление пятен и обесцвечивание стеклокерамической поверхности – это обычное явление, которые не является признаком ее повреждения.

Скребок для чистки стеклокерамической поверхности

Для удаления прилипших остатков пищи и других стойких загрязнений используйте специальный скребок для стеклокерамических поверхностей, который можно приобрести в торговой сети. Чтобы не поцарапать поверхность, скребок следует держать под острым углом.



Чистка панели управления

Очистьте панель управления и ручки-регуляторы влажной тканью и вытрите насухо.

i Для чистки панели управления не снимайте кнопки/ручки-регуляторы. Так можно повредить панель управления!

7 Поиск и устранение неисправностей

При нагревании и охлаждении прибор издает металлические шумы.

- При нагревании металлические детали могут расширяться и издавать звуки. >>> *Это не является неисправностью.*

Прибор шкаф не работает.

- Плавкий предохранитель неисправен или сработал. >>> *Проверьте плавкие предохранители в блоке предохранителей. При необходимости замените их или включите.*
- Духовой шкаф не включен в (заземленную) розетку электросети. >>> *Проверьте соединение штепсельной вилки.*



Если вы не можете устранить неполадки, несмотря на выполнение инструкций, приведенных в данном разделе, обратитесь к представителю авторизованной сервисной службы. Не пытайтесь самостоятельно отремонтировать неисправный электроприбор.

