

6 ;

ž

ž%&!%

ž%

ž% !%

75)) 'll
755)) 'll
B755)) 'll

ž%+

ž%

ž%

ž&\$



1.

2.

3.

4.

5.

1.

2.

10

5

(. 150 W).

(. 220 - 240 V).

). He

(.

(

).

ž
"

1.

2.

3.

4.

5.

6.

7.

8.

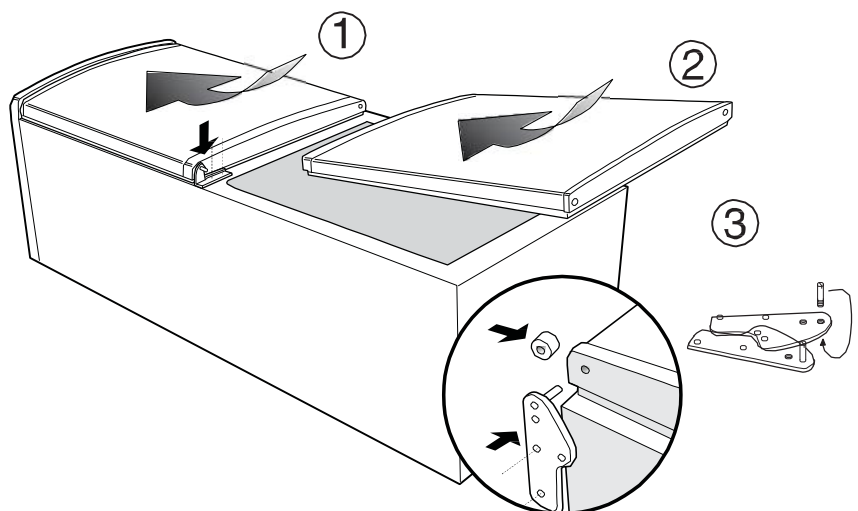
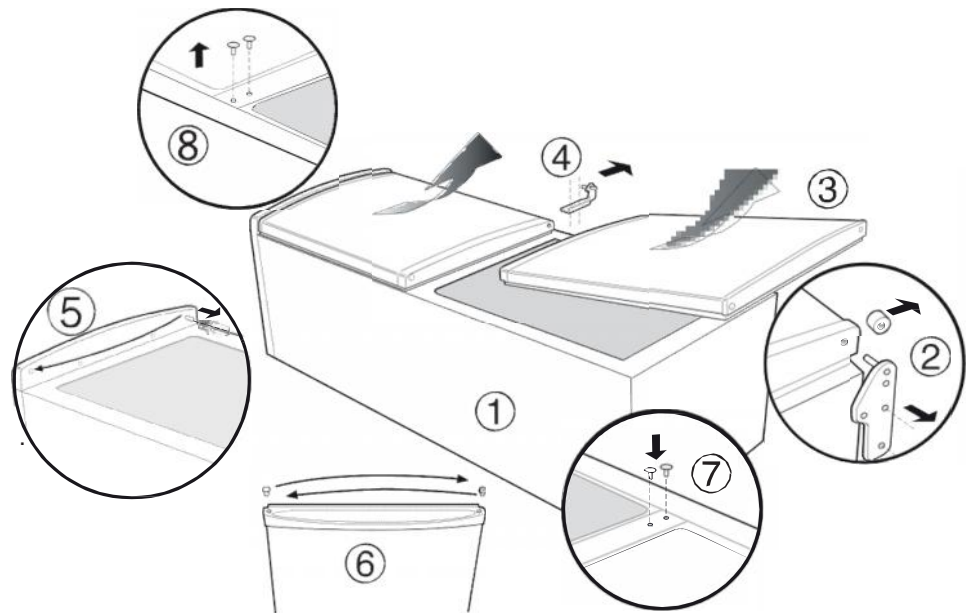
1.

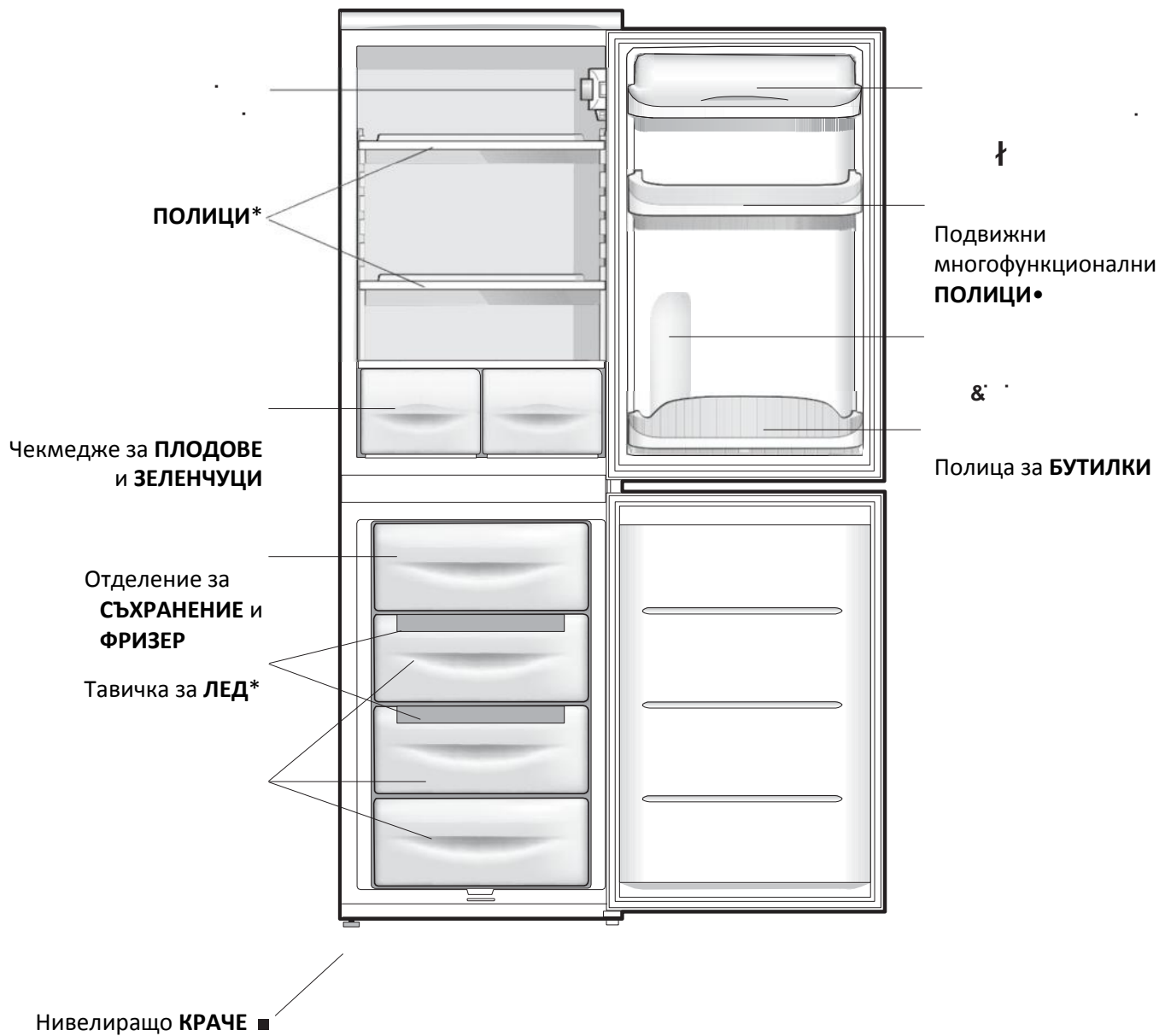
2.

3.

4.

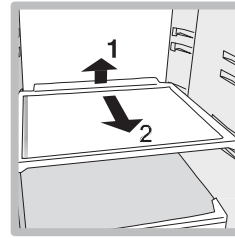
5.





° Преди да включите уреда, следвайте инструкциите за монтаж (вж. Монтаж).

- 1.
- 2.



1= - 5= -

1. схема).



2. " " (-) 10
- 3.

()

10

BG

- 1.

- 2.

- 3.

- 4.

5.

6.

(, , - , (, ,))

- 1.
2. WATER LEVEL (MAX)

()

3. 90° ()

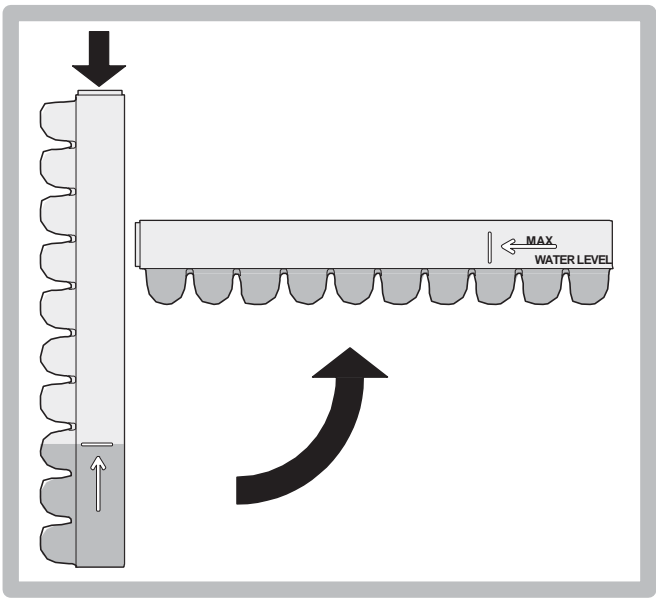
4. (24

5. (

8)

(-18°C)

(: Kg/24h: 4)
COOL CARE ZONE,
)



9-14
14°C

5

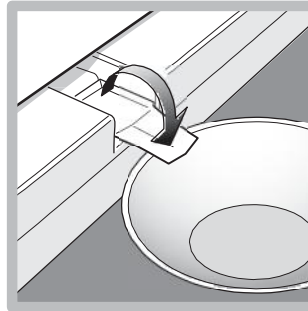
1. Настройте програматора за РЕГУЛИРАНЕ НА
ТЕМПЕРАТУРАТА на позицията ●

2.

3.

4.

5.



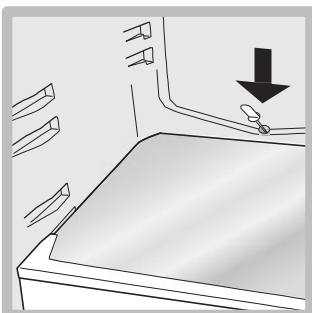
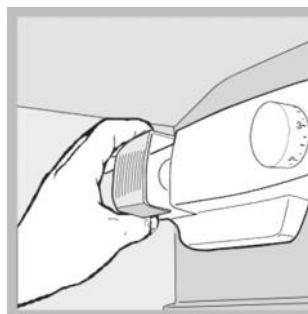
(. . .).

6.

2

(15 W

25 W).





-73/23/

19/02/73 (

)



-89/336/

03.05.89 (

)

-2002/96/CE

2002/96/EC

(WEEE)

• (.),
• / :
•

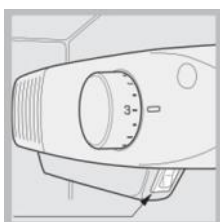
14°C.

2-3 (.).


(.).

(.).

• 16 C - , (.),
• "ON" (.).



BG

Mod. RG 2330		TI	Cod. 93139180000	S/N 704211801	
220 V.		Hz	150 W	Fuse	Max 15
Total	340	75		Freez. Capac	Class
Gross Bruto Brut		Gross Bruto Brut	Net Util Utile	Gross Bruto Brut	Poder de Cong kg/24 h 4,0
					Classe N
Compr. Syst.	R 134 a	Test	Pressure HIGH-235		
Kompr.	kg 0,090	P.S-I.	LOW 140		
Made in Italy 13918					