

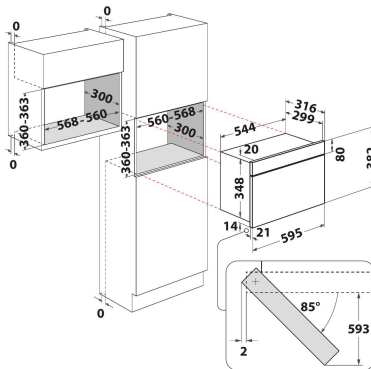
MBNA920B

12NC: 859991659360

GTIN (EAN) code: 8003437396823

Whirlpool

SENSING THE DIFFERENCE



MAIN FEATURES

| | |
|---------------------------------------|-------------------|
| Product group | Microwave |
| Commercial code | MBNA920B |
| Main colour of product | Черен |
| Type of micro-wave oven | MW+Grill function |
| Construction type | Built-in |
| Type of control | Electronic |
| Type of control settings | LED |
| Additional cooking method Grill | Yes |
| Хрупкаво | No |
| Steam | No |
| Additional cooking method Fan cooking | No |
| Clock | Yes |
| Automatic programmes | No |
| Height of the product | 382 |
| Width of the product | 595 |
| Depth of the product | 320 |
| Minimum niche height | 360 |
| Minimum niche width | 556 |
| Niche depth | 300 |
| Net weight (kg) | 20 |
| Cavity capacity (l) | 22 |
| Turntable | Yes |
| Turntable diameter (mm) | 250 |
| Integrated Cleaning system | No |

TECHNICAL FEATURES

| | |
|---|------------|
| Current (A) | 10 |
| Voltage (V) | 220-240 |
| Frequency (Hz) | 50 |
| Length of Electrical Supply Cord (cm) | 135 |
| Plug type | Schuko |
| Timer | Yes |
| Grill power (W) | 700 |
| Type of grill | Quartz |
| Cavity material | Painted |
| Interior light | Yes |
| Additional cooking method Grill | Yes |
| Position of interior lights of the cavity | Right side |

ENERGY LABEL

| | |
|----------------------------------|-----|
| 6th Sense / Dynamic Intelligence | No |
| Number of power levels | 4 |
| Maximum micro-wave power (W) | 750 |
| Размразяване на хляб | No |
| Размразяване | Yes |
| Старт | Yes |