

# **vestfrost**

**COMBI REFRIGERATOR**  
**Fridge - Freezer**  
Instruction booklet

**КОМБІНОВАНИЙ ХОЛОДИЛЬНИК**  
**МОРОЗИЛЬНИК**  
Брошура по використанню

**VFC252**

# Index

<b>BEFORE USING THE APPLIANCE .....</b>	<b>2</b>
General warnings .....	2
Old and out-of-order fridges .....	4
Safety warnings .....	4
Installing and operating your fridge .....	5
Before using your fridge freezer .....	6
<b>HOW TO OPERATE THE APPLIANCE .....</b>	<b>6</b>
Information on Less Frost Technology .....	6
Thermostat setting .....	6
Warnings about temperature adjustments .....	7
Accessories .....	8
Ice tray .....	8
Plastic scraper .....	8
Bottle holder .....	8
<b>FOOD STORAGE IN THE APPLIANCE .....</b>	<b>9</b>
Refrigerator compartment .....	9
Freezer compartment .....	9
<b>CLEANING AND MAINTENANCE .....</b>	<b>13</b>
Defrosting .....	14
Replacing the Light bulb .....	15
<b>TRANSPORTATION AND CHANGING OF INSTALLATION POSITION .</b>	<b>15</b>
Repositioning the door .....	15
<b>BEFORE CALLING FOR AFTER SALES SERVICE .....</b>	<b>16</b>
Tips for saving energy .....	17
<b>PARTS OF THE APPLIANCE AND THE COMPARTMENTS .....</b>	<b>18</b>

*The operating instructions apply to several models. Differences may therefore occur.*

## **PART - 1. BEFORE USING THE APPLIANCE**

### **General warnings**

**WARNING:** Keep ventilation openings, in the appliance enclosure or in the built-in structure, clear of obstruction.

**WARNING:** Do not use mechanical devices or other means to accelerate the defrosting process, other than those recommended by the manufacturer.

**WARNING:** Do not use electrical appliances inside the food storage compartments of the appliance, unless they are of the type recommended by the manufacturer.

**WARNING:** Do not damage the refrigerant circuit.

**WARNING:** In order to avoid any hazards resulting from the instability of the appliance, it must be fixed in accordance with the following instructions:

**WARNING:** When positioning the appliance, ensure the supply cord is not trapped or damaged.

**WARNING:** Do not locate multiple portable socket-outlets or portable power supplies at the rear of the appliance.



SYMBOL ISO 7010 W021

**WARNING:** Risk of fire / flammable materials

- If your appliance uses R600a as a refrigerant (this information will be provided on the label of the cooler) you should take care during transportation and installation to prevent the cooler elements from being damaged. R600a is an environmentally friendly and natural gas, but it is explosive. In the event of a leak due to damage of the cooler elements, move your fridge away from open flames or heat sources and ventilate the room where the appliance is located for a few minutes.
- While carrying and positioning the fridge, do not damage the cooler gas circuit.

- Do not store explosive substances such as aerosol cans with a flammable propellant in this appliance.
- This appliance is intended to be used in household and domestic applications such as:
  - staff kitchen areas in shops, offices and other working environments.
  - farm houses and by clients in hotels, motels and other residential type environments.
  - bed and breakfast type environments;
  - catering and similar non-retail applications.
- If the socket does not match the refrigerator plug, it must be replaced by the manufacturer, a service agent or similarly qualified persons in order to avoid a hazard.
- A specially grounded plug has been connected to the power cable of your refrigerator. This plug should be used with a specially grounded socket of 16 amperes. If there is no such socket in your house, please have one installed by an authorised electrician.
- This appliance can be used by children aged from 8 years and above and persons with reduced physical, sensory or mental capabilities or lack of experience and knowledge if they have been given supervision or instruction concerning use of the appliance in a safe way and understand the hazards involved. Children shall not play with the appliance. Cleaning and user maintenance shall not be made by children without supervision.
- If the supply cord is damaged, it must be replaced by the manufacturer, an authorised service agent or similar qualified persons, in order to avoid a hazard.
- This appliance is not intended for use at altitudes exceeding 2000 m.

## Old and out-of-order fridges

- If your old fridge has a lock, break or remove the lock before discarding it, because children may get trapped inside it and may cause an accident.
- Old fridges and freezers may contain isolation material and refrigerant with CFC or HFC.



Therefore, take care not to harm environment when you are discarding your old fridges.

Please ask your municipal authority about the disposal of the WEEE reuse, recycle and recovery purposes.

### Notes:

- Please read the instruction manual carefully before installing and using your appliance.  
**We are not responsible for the damage occurred due to misuse.**
- Follow all instructions on your appliance and instruction manual, and keep this manual in a safe place to resolve the problems that may occur in the future.
- This appliance is produced to be used in homes and it can only be used in domestic environments and for the specified purposes. It is not suitable for commercial or common use. Such use will cause the guarantee of the appliance to be cancelled and our company will not be responsible for losses incurred.
- This appliance is produced to be used in houses and it is only suitable for cooling / storing food. It is not suitable for commercial or common use and/or for storing substances except for food. Our company is not responsible for losses to be incurred in the contrary case.

## Safety warnings

- Do not connect your fridge freezer to the mains electricity supply using an extension lead.
- Do not plug in damaged, torn or old plugs.
- Do not pull, bend or damage the cord.



- This appliance is designed for use by adults, do not allow children to play with the appliance or let them hang off the door.
- Never touch the power cord/plug with wet hands as this could cause a short circuit or electric shock.
- Do not place glass bottles or beverage cans in the ice-making compartment as they can burst as the contents freeze.
- Do not place explosive or flammable material in your fridge. Place drinks with high alcohol content vertically in the fridge compartment and make sure that their tops are tightly closed.
- When removing ice from the ice-making compartment, do not touch it. Ice may cause frost burns and/or cuts.
- Do not touch frozen goods with wet hands! Do not eat ice-cream and ice cubes immediately after you have taken them out of the freezer department!

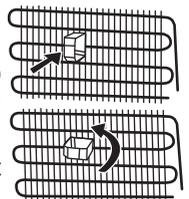


- Do not touch frozen goods with wet hands. Do not eat ice-cream or ice cubes immediately after you have taken them out of the ice-making compartment.
- Do not cover the body or top of fridge with lace. This affects the performance of your fridge.
- Secure any accessories in the fridge during transportation to prevent damage to the accessories.
- Do not use plug adapter.

## Installing and operating your fridge

Before starting to use your fridge freezer, you should pay attention to the following points:

- The operating voltage for your fridge is 220-240 V at 50Hz.
- The plug must be accessible after installation.
- Your fridge freezer may have a smell when it is operated for the first time. This is normal and the smell will fade away when your fridge freezer starts to cool.
- Before connecting your fridge freezer, ensure that the information on the data plate (voltage and connected load) matches that of the mains electricity supply. If in doubt, consult a qualified electrician.
- Insert the plug into a socket with an efficient ground connection. If the socket has no ground contact or the plug does not match, we recommend that you consult a qualified electrician for assistance.
- The appliance must be connected with a properly installed fused socket. Power supply (AC) and voltage at the operating point must match with the details on the name plate of the appliance (name plate is located on the inside left of the appliance).
- We do not accept responsibility for any damages that occur due to ungrounded usage.
- Place your fridge where it will not be exposed to direct sunlight.
- Your fridge should never be used outdoors or exposed to rain.
- Your appliance should be at least 50 cm away from stoves, gas ovens and heater cores, and at least 5 cm away from electrical ovens.
- When your fridge is placed next to a deep freezer, there should be at least 2 cm between them to prevent humidity forming on the outer surface.
- Do not place heavy items on the appliance.
- Clean the appliance thoroughly, especially the interior, before use (see Cleaning and Maintenance).
- The installation procedure into the kitchen unit is given in the installation manual. This product is intended to be used in proper kitchen units only.
- Before using your fridge freezer, wipe all parts with a solution of warm water and a teaspoon of sodium bicarbonate, then rinse with clean water and dry. Place all parts in the fridge after cleaning.
- Install the plastic distance guide (the part with black vanes at the rear) by turning it 90° (as shown in the figure) to prevent the condenser from touching the wall.
- The refrigerator should be placed against a wall with a free space not exceeding 75 mm.



## Before using your fridge freezer



- When using your fridge freezer for the first time, or after transportation, keep it in an upright position for at least 3 hours before plugging into the mains. This allows efficient operation and prevents damage to the compressor.
- Your fridge freezer may have a smell when it is operated for the first time. This is normal and the smell will fade away when your fridge starts to cool.

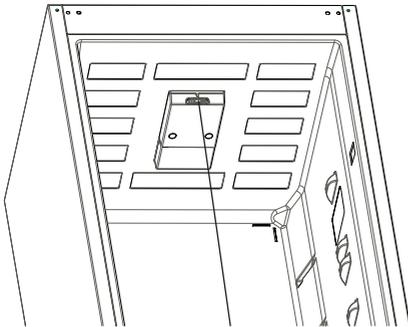
## PART - 2. HOW TO OPERATE THE APPLIANCE

### Information on Less Frost Technology

Thanks to the wrap around evaporator, LessFrost technology offers more efficient cooling, less manual defrost requirement, and more flexible storage room.

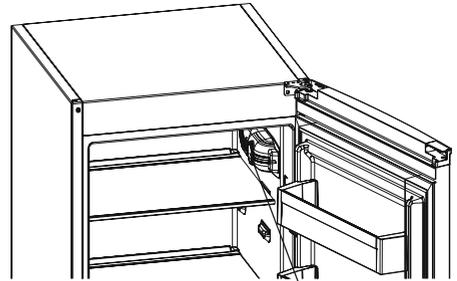
### Thermostat setting

**When lighting and thermostat are positioned on top**



Thermostat control

**When lighting and thermostat are positioned on side**



Thermostat control

The fridge freezer thermostat automatically regulates the inside temperature of the compartments. By rotating the knob from position 1 to 5, colder temperatures can be obtained.

**Important note:** Do not try to rotate knob beyond 1 position it will stop your appliance.

**1 – 2 :** For short-term storage of food in the freezer compartment, you can set the knob between the minimum and medium position.

**3 – 4 :** For long-term storage of food in the freezer compartment, you can set the knob to the medium position.

**5 :** For freezing fresh food. The appliance will work for longer. So, after the desired condition is reached, return the knob to the previous setting.

## Warnings about temperature adjustments

- It is not recommended that you operate your fridge in environments colder than 10°C in terms of its efficiency.
- Temperature adjustments should be made according to the frequency of door openings and the quantity of food kept inside the fridge.
- Your fridge should be operated up to 24 hours according to the ambient temperature without interruption after being plugged in to be completely cooled. Do not open doors of your fridge frequently and do not place much food inside it in this period.
- A 5 minute delaying function is applied to prevent damage to the compressor of your fridge, when you take the plug out and then plug it in again to operate it or when an energy breakdown occurs. Your fridge will start to operate normally after 5 minutes.
- Your fridge is designed to operate in the ambient temperature intervals stated in the standards, according to the climate class stated in the information label. We do not recommend operating your fridge out of stated temperatures value limits in terms of cooling effectiveness.
- This appliance is designed for use at an ambient temperature within the 16°C - 38°C range.

<b>Climate class</b>	<b>Ambient temperature (°C)</b>
<b>T</b>	Between 16 and 43 °C
<b>ST</b>	Between 16 and 38 °C
<b>N</b>	Between 16 and 32 °C
<b>SN</b>	Between 10 and 32 °C

## Accessories

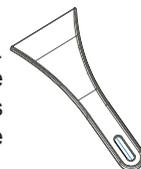
### Ice tray

- Fill the ice tray with water and place in freezer compartment.
- After the water completely turned into ice, you can twist the tray as shown below to get the ice cube.



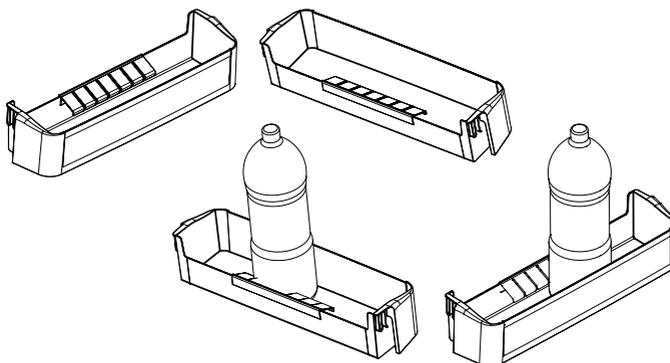
### Plastic scraper

After a period of time frost will build up in certain areas in the freezer compartment. The frost accumulated in the freezer should be removed periodically. Use the plastic scraper provided if necessary. Do not use sharp metal objects for this operation. They could puncture the refrigerator circuit and cause irreparable damage to the unit.



### Bottle holder (Only some models)

In order to prevent bottles from slipping or falling over, you can use the bottle holder. This will also help to prevent the noise made by bottles when opening or closing the door.



*All written and visual descriptions in the accessories may vary according to the appliance model.*

## **PART - 3. FOOD STORAGE IN THE APPLIANCE**

### **Refrigerator compartment**

The refrigerator compartment is used for storing fresh food for a few days.

- Do not place food in direct contact with the rear wall of the refrigerator compartment. Leave some space around food to allow circulation of air.
- Do not place hot food or evaporating liquid in the refrigerator.
- Always store food in closed containers or wrapped.
- To reduce humidity and avoid formation of frost, never place liquids in unsealed containers in the refrigerator.
- Meat of all types, wrapped in packages, is recommended to be placed on the glass shelf just above the vegetable bin, where the air is colder.
- You can put fruit and vegetables into the crisper without packaging.
- To avoid cold air escaping, try not to open the door too often, and not leave the door open for a long time.

Some recommendations have been specified below for the placement and storage of your food in the cooling compartment.

<b>Food</b>	<b>Maximum Storing time</b>	<b>Where to place in the fridge department</b>
<b>Vegetables and fruits</b>	1 week	Vegetable bin
<b>Meat and fish</b>	2 - 3 Days	Wrapped in plastic foil or bags or in a meat container (on the glass shelf)
<b>Fresh cheese</b>	3 - 4 Days	In special door shelf
<b>Butter and margarine</b>	1 week	In special door shelf
<b>Bottled products milk and yoghurt</b>	Until the expiry date recommended by the producer	In special door shelf
<b>Eggs</b>	1 month	In the egg shelf
<b>Cooked food</b>		All shelves

**NOTE:** Potatoes, onions and garlic should not be stored in the refrigerator.

### **Freezer compartment**

The freezer compartment is used for freezing fresh food and for storing frozen food for the period of time indicated on packaging, and for making ice cubes.

- When freezing fresh food, wrap and seal the food properly; the packaging should be air tight and shouldn't leak. Special freezer bags, aluminum foil (heavy grade, if in doubt double wrap), polythene bags and plastic containers are ideal.
- To get maximum capacity for freezer compartment, please just use glass shelves for upper and middle section. For bottom section, please use lower basket.
- The maximum amount of fresh foods that can be loaded in the freezer within 24 hours is indicated on the name plate (see Freezing Capacity).

- Do not allow the fresh food to be frozen to come into contact with the already frozen food.
- Always mark the date and the content on the pack and do not exceed the stated storage time.
- In case of a power failure or malfunction, the freezer compartment will maintain a sufficiently low temperature for food storage. However, avoid opening the freezer door to slow down the temperature rise within the freezer compartment.
- Never place warm food in the freezer compartment.
- When purchasing and storing frozen food products, ensure that the packaging is not damaged.
- The storage time and the recommended temperature for storing frozen food is indicated on the packaging. For storing and using, follow the manufacturer's instructions. If no information is provided, food should not be stored for more than 3 months.
- Place frozen food in the freezer compartment as soon as possible after buying it.
- Once the food has thawed, it must not be refrozen; you must cook it as quickly as possible in order to consume or to freeze once again.
- Not that; if you want to open again immediately after closing the freezer door, it will not be opened easily. It's quite normal! After reaching equilibrium condition, the door will be opened easily.

**Important note:**

- Frozen foods, when thawed, should be cooked just like fresh foods. If they are not cooked after being thawed they must NEVER be re-frozen.
- The taste of some spices found in cooked dishes (anise, basilica, watercress, vinegar, assorted spices, ginger, garlic, onion, mustard, thyme, marjoram, black pepper, etc.) changes and they assume a strong taste when they are stored for a long period. Therefore, the frozen food should be added little amount of spices or the desired spice should be added after the food has been thawed.
- The storage period of food is dependent on the oil used. The suitable oils are margarine, calf fat, olive oil and butter and the unsuitable oils are peanut oil and pig fat.
- The food in liquid form should be frozen in plastic cups and the other food should be frozen in plastic folios or bags.

Some recommendations have been specified on pages 11, 12 and 13 for the placement and storage of your food in the deep freeze compartment.

<b>Meat and fish</b>	<b>Preparation</b>	<b>Maximum Storing time (month)</b>
<b>Steak</b>	Wrapping in a foil	6 - 8
<b>Lamb meat</b>	Wrapping in a foil	6 - 8
<b>Veal roast</b>	Wrapping in a foil	6 - 8
<b>Veal cubes</b>	In small pieces	6 - 8
<b>Lamb cubes</b>	In pieces	4 - 8
<b>Minced meat</b>	In packages without using spices	1 - 3
<b>Giblets (pieces)</b>	In pieces	1 - 3
<b>Bologna sausage/salami</b>	Should be packaged even if it has membrane	
<b>Chicken and turkey</b>	Wrapping in a foil	4 - 6
<b>Goose and Duck</b>	Wrapping in a foil	4 - 6
<b>Deer, Rabbit, Wild Boar</b>	In 2.5 kg portions and as fillets	6 - 8
<b>Freshwater fishes (Salmon, Carp, Crane, Siluroidea)</b>	After cleaning the bowels and scales of the fish, wash and dry it; and if necessary, cut the tail and head.	2
<b>Lean fish; bass, turbot, flounder</b>		4
<b>Fatty fishes (Tunny, Mackarel, bluefish, anchovy)</b>		2 - 4
<b>Shellfish</b>	Cleaned and in bags	4 - 6
<b>Caviar</b>	In its package, aluminium or plastic container	2 - 3
<b>Snail</b>	In salty water, aluminum or plastic container	3

**Note:** *Frozen meat should be cooked as fresh meat after being thawed. If the meat is not cooked after being thawed, it should never be frozen again.*

<b>Vegetables and Fruits</b>	<b>Preparation</b>	<b>Maximum Storing time (months)</b>
<b>String beans and beans</b>	Wash and cut to small pieces and boil in water	10 - 13
<b>Beans</b>	Hull and wash and boil in water	12
<b>Cabbage</b>	Cleaned and boil in water	6 - 8
<b>Carrot</b>	Clean and cut to slices and boil in water	12
<b>Pepper</b>	Cut the stem, cut into two pieces and remove the core and boil in water	8 - 10
<b>Spinach</b>	Washed and boil in water	6 - 9
<b>Cauliflower</b>	Take the leaves apart, cut the heart into pieces, and leave it in water with a little lemon juice for a while	10 - 12
<b>Eggplant</b>	Cut to pieces of 2cm after washing	10 - 12
<b>Corn</b>	Clean and pack with its stem or as sweet corn	12
<b>Apple and pear</b>	Peel and slice	8 - 10
<b>Apricot and Peach</b>	Cut into two pieces and remove the stone	4 - 6
<b>Strawberry and Blackberry</b>	Wash and hull	8 - 12
<b>Cooked fruits</b>	Adding 10 % of sugar in the container	12
<b>Plum, cherry, sourberry</b>	Wash and hull the stems	8 - 12

Dairy Products	Preparation	Maximum Storing time (months)	Storing Conditions
Packet (Homogenize) Milk	In its own packet	2 - 3	Pure Milk – In its own packet
Cheese-excluding white cheese	In slices	6 - 8	Original package may be used for short storing period. It should be wrapped in foil for longer periods.
Butter, margarine	In its package	6	

	Maximum Storing time (months)	Thawing time in room temperature (hours)	Thawing time in oven (minutes)
Bread	4 - 6	2 - 3	4-5 (220-225 °C)
Biscuits	3 - 6	1 - 1,5	5-8 (190-200 °C)
Pastry	1 - 3	2 - 3	5-10 (200-225 °C)
Pie	1 - 1,5	3 - 4	5-8 (190-200 °C)
Phyllo dough	2 - 3	1 - 1,5	5-8 (190-200 °C)
Pizza	2 - 3	2 - 4	15-20 (200 °C)

## PART - 4. CLEANING AND MAINTENANCE

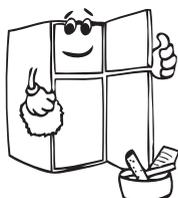
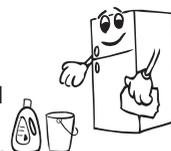
- Disconnect the unit from the power supply before cleaning.



- Do not clean the appliance by pouring water.



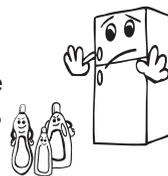
- Make sure that no water enters the lamp housing and other electrical components.
- The refrigerator should be cleaned periodically using a solution of bicarbonate of soda and lukewarm water.



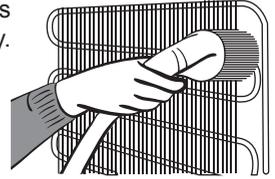
- Clean the accessories separately with soap and water Do not clean them in the dishwasher.



- Do not use abrasive products, detergents or soaps. After washing, rinse with clean water and dry carefully. When you have finished cleaning, reconnect the plug to the mains supply with dry hands.



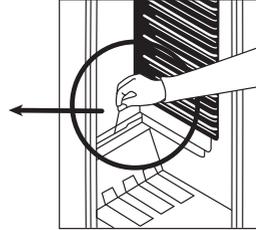
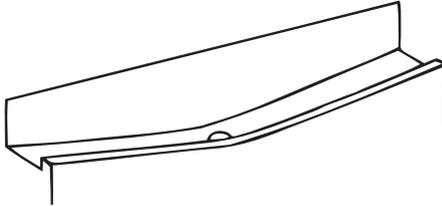
- Clean the condenser with a broom at least twice a year. This will help you to save on energy costs and increase productivity.



**THE POWER SUPPLY MUST BE DISCONNECTED.**

## Defrosting

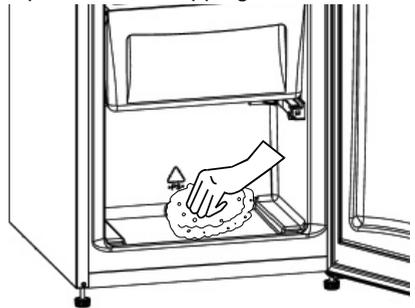
### Defrosting the Refrigerator Compartment



- Defrosting occurs automatically in the refrigerator compartment during operation; the water is collected by the evaporation tray and evaporates automatically.
- The evaporation tray and the water drain hole should be cleaned periodically with the defrost drain plug to prevent the water from collecting at the bottom of the refrigerator instead of flowing out.
- You can also clean the drain hole by pouring  $\frac{1}{2}$  glass of water down it.

### Defrosting the Freezer Compartment

- The frost, which covers the shelves of the freezer compartment, should be removed periodically.
- Do not use sharp metal objects for this operation. They could puncture the refrigerant circuit and cause irreparable damage to the unit. Use the plastic scraper provided.
- When there is more than 5 mm of frost on the shelves, defrosting must be carried out.
- Before defrosting, place the frozen food in a cool place after wrapping it in sheets of newspaper (this will help the food to maintain its temperature for longer).
- To accelerate the defrosting process, place one or more bowls of warm water in the freezer compartment.
- Dry the inside of the compartment with a sponge or a clean cloth.
- Once the unit has been defrosted, place the food into freezer and remember to consume it in a short period of time.

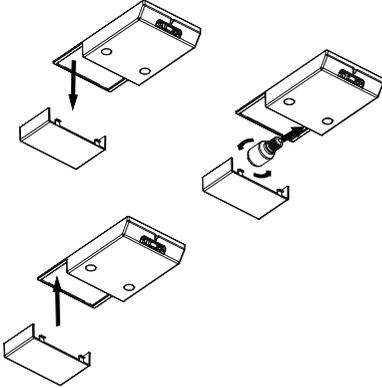


## Replacing the Light bulb

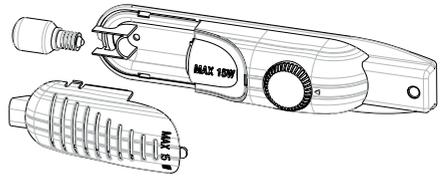
When replacing the bulb of the refrigerator compartment;

1. Unplug the unit from the power supply,
2. Press the hooks on the sides of the light cover top and remove the light cover
3. Change the present light bulb with a new one of not more than 15 W.
4. Replace the light cover and after waiting 5 minutes plug the unit.

When lighting and thermostat are positioned on top



When lighting and thermostat are positioned on side



## Replacing LED lighting

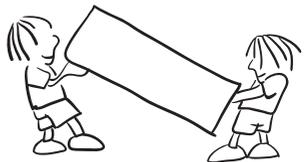
If your refrigerator has LED lighting contact the help desk as this should be changed by authorized personnel only.

## **PART - 5.** TRANSPORTATION AND CHANGING OF INSTALLATION POSITION

### Transportation and Changing of Installation Position

- The original packages and foamed polystyrene (PS) can be retained if required.
- During transportation, the appliance should be secured with a wide string or a strong rope. The instructions written on the corrugated box must be followed while transporting.
- Before transporting or changing the installation position, all the moving objects (ie,shelves,crisper...) should be taken out or fixed with bands in order to prevent them from getting damaged.

**! Carry your fridge in the upright position.**



### Repositioning the door

- It is not possible to change the opening direction of your refrigerator door, if the door handles on your refrigerator are installed from the front surface of the door.
- It is possible to change the opening direction of the door on models without any handles.
- If the door opening direction of your refrigerator may be changed, you should contact the nearest authorised service agent to have the opening direction changed.

## **PART - 6. BEFORE CALLING FOR AFTER SALES SERVICE**

If your refrigerator is not working properly, it may be a minor problem, therefore check the following.

### **The appliance does not operate,**

#### **Check if;**

- There is no power,
- The general switch in your home is disconnected,
- The socket is not faulty. To check this, plug the appliance in to another socket which you know is working.

### **What to do if your appliance performs poorly**

#### **Check that:**

- You have overloaded the appliance,
- The thermostat setting is on position “1” (if so set the thermostat dial to a suitable value).
- The doors are closed properly,
- There is no dust on the condenser,
- There is enough space at the rear and side walls.

### **If your fridge is operating too loudly**

#### **Normal Noises**

##### **Compressor noise**

- Normal motor noise: This noise means that the compressor operates normally
- Compressor may cause more noise for a short time when it starts.

##### **Bubbling noise and splash:**

- This noise is caused by the flow of the refrigerant in the tubes of the system.
- If you hear any other noises check that:
  - The appliance is level
  - Nothing is touching the rear of the appliance
  - The objects on the appliance are vibrating.

### **If there is water in the lower part of the refrigerator;**

#### **Check if;**

The drain hole for defrost water is not clogged (use defrost drain plug to clean the drain hole).

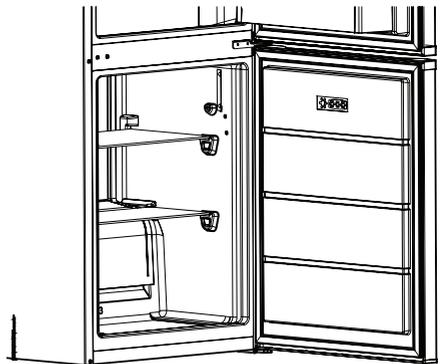
#### **Important notes:**

- In case of a sudden power loss or disconnecting and reconnecting of the plug to the electrical socket, the compressor protective thermal element will be opened as the pressure of the gas in the cooling system of your refrigerator has not yet been balanced. 4 or 5 minutes later, your refrigerator will start to operate; this is normal.
- If you won't be using your refrigerator for a long time (such as on summer holidays), please disconnect the plug from the socket. Clean your refrigerator as per Part 4 of this document and leave the door open to prevent any humidification or odor formation.
- If there is still a problem with your refrigerator although you have followed the instructions in this book, please consult your nearest authorized service center.

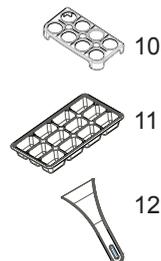
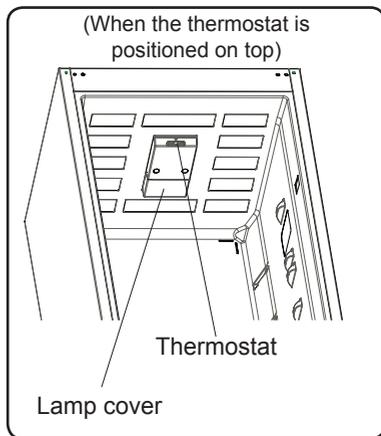
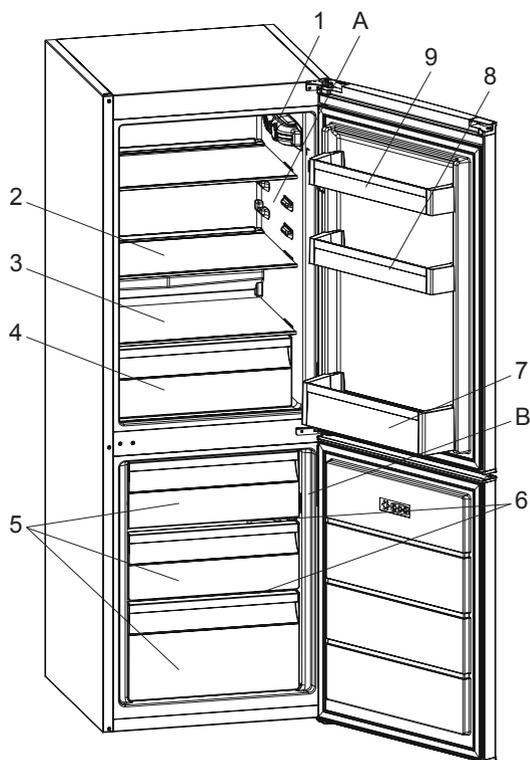
- The lifetime of your appliance is stated and declared by the Department of Industry. The length of time for retaining parts required for the proper operation of the appliance is 10 years.

### **Tips for saving energy**

1. Install the appliance in a cool, well ventilated room , but not in direct sunlight and not near a heat source (radiator, cooker.. etc). Otherwise use an insulating plate.
2. Allow warm food and drinks to cool down outside the appliance.
3. When thawing frozen food, place it in the refrigerator compartment. The low temperature of the frozen food will help to cool the refrigerator compartment when it is thawing. This will help to save energy. If the frozen food is put out, it results in a waste of energy.
4. Cover drinks or other liquids when placing them in the appliance Otherwise humidity increases in the appliance. Therefore, the working time gets longer. Also covering drinks and other liquids helps to preserve smell and taste.
5. Try to avoid keeping the doors open for long periods or opening the doors too frequently as warm air will enter the cabinet and cause the compressor to switch on unnecessarily often.
6. Keep the covers of the different temperature compartments (crisper, chiller ...etc ) closed
7. Door gasket must be clean and pliable. Replace gaskets if worn.
8. Energy consumption of your appliance is declared without drawers and fully loaded in freezer compartmentant.
9. For saving energy, do not use volume between the load limit and the door, along the load limit line. Load limit line is also used in energy consumption declaration.



## PART - 8. PARTS OF THE APPLIANCE AND THE COMPARTMENTS



This presentation is only for information about the parts of the appliance.  
Parts may vary according to the appliance model.

A) Fridge compartment

B) Freezer compartment

1) Thermostat box (When the thermostat is positioned on side)

2) Fridge compartment shelves

3) Crisper cover

4) Crisper

5) Freezer drawers

6) Freezer glass shelves \*

7) Bottle shelf

8) Adjustable door shelf \*

9) Door shelves

10) Egg holder

11) Ice box tray

12) Ice scraper\*

# Съдържание

<b>ПРЕДИ ДА ИЗПОЛЗВАТЕ УРЕДА .....</b>	<b>20</b>
Общи предупреждения.....	20
Стари и повредени хладилници .....	22
Предупреждения относно безопасността .....	22
Монтиране и експлоатация на хладилника .....	23
Преди да използвате хладилника .....	24
<b>РАЗЛИЧНИ ФУНКЦИИ И ВЪЗМОЖНОСТИ .....</b>	<b>25</b>
Температурни настройки.....	25
Предупреждения относно температурните настройки .....	25
Акcesoари .....	27
Табла за лед .....	27
Пластмасова стъргалка .....	27
Държач на бутилки .....	27
<b>ПОСТАВЯНЕ НА ХРАНИ .....</b>	<b>28</b>
Хладилна камера .....	28
Фризерна камера .....	28
<b>ПОЧИСТВАНЕ И ПОДДРЪЖКА.....</b>	<b>33</b>
Размразяване .....	34
Размразяване на фризерната камера .....	34
Смяна на крушката в хладилника .....	35
<b>ТРАНСПОРТИРАНЕ И СМЯНА НА МЕСТОПОЛОЖЕНИЕТО.....</b>	<b>35</b>
Смяна на посоката на отваряне на вратата .....	35
<b>ПРЕДИ ДА СЕ ОБАДИТЕ НА ОТДЕЛА ЗА СЕРВИЗ СЛЕД ПРОДАЖБАТА.....</b>	<b>36</b>
Съвети за пестене на електроенергия .....	37
<b>КОМПОНЕНТИ НА УРЕДА И ОТДЕЛЕНИЯТА.....</b>	<b>38</b>

## **РАЗДЕЛ -1 ПРЕДИ ДА ИЗПОЛЗВАТЕ УРЕДА**

### **Общи предупреждения**

**ПРЕДУПРЕЖДЕНИЕ:** Погрижете се вентилационните отвори около уреда или в мястото му на вграждане, да са свободни.

**ПРЕДУПРЕЖДЕНИЕ:** Не използвайте механични устройства или други средства за ускоряване процеса на размразяване, различни от тези препоръчани от производителя.

**ПРЕДУПРЕЖДЕНИЕ:** Не използвайте електрически уреди в отделението за съхранение на харна на уреда, освен ако не са от препоръчван от производителя тип.

**ПРЕДУПРЕЖДЕНИЕ:** Не повреждайте веригата за хладилен агент.

**ПРЕДУПРЕЖДЕНИЕ:** За да избегнете опасности поради нестабилност на уреда, той трябва да бъде фиксиран в съответствие с инструкциите.

**ВНИМАНИЕ:** Когато поставяте уреда, се уверете се, че захранващият кабел не е притиснат или повреден.

**ВНИМАНИЕ:** Не поставяйте много портативни гнезда или портативни захранващи устройства на задната страна на устройството.



Символ ISO 7010 W021

Предупреждение: Риск от пожар/запалими материали

- Ако уредът използва R600a като хладилен агент (можете да научите тази информация от етикета на охладителя) трябва да внимавате по време на транспортирането и инсталирането, за да предотвратите повреда на елементите на охладителя. Освен това R600a е безопасен за околната среда и неутрален газ. Тъй като той е експлозивен, в случай на течове поради повреда на елементите на охладителя, преместете своя хладилник далеч от открит пламък или източници на нагряване и проветрете стаята, където се намира уредът за няколко минути.

- При пренасяне и позициониране на хладилника, пазете от повреда веригата на газовия охладител.
- Не съхранявайте взривоопасни вещества, като аерозоли и запалими вещества в уреда.
- Продуктът е предназначен само за домашна употреба, в зони като:
  - кухненски зони в магазини, офиси и други работни среди.
  - ферми и клиенти в хотели, мотели и други среди от жилищен тип
  - места, предлагащи легло и закуска;
  - кетъринг и подобни приложения, без отдаване под наем
- Ако контактът не съответства на щепсела на хладилника, трябва да бъде сменен от производителя, негови представители по поддръжката, или лица с подобен опит и квалификация, за да се избегнат рисковете.
- Специално заземен проводник е свързан към захранващия кабел на хладилника. Този щепсел трябва да бъде използван в специално заземен контакт от 16 ампера. Ако в къщата няма такъв контакт, моля нека упълномощен електротехник монтира такъв.
- Този уред може да се използва от деца на 8 години и по-големи, включително лица с ограничена физически, двигателни или умствени възможности, или без опит и познания в безопасното използване на уреда, или без познания за рисковете, САМО ако са под наблюдение от по-възрастно (инструктирано) лице.
- Ако захранващият кабел е повреден, той трябва да бъде сменен от производителя, негови представители по поддръжката, или лица с подобен опит и квалификация, за избягване на рисковете.
- Този уред не е предназначен за използване на височини над 2000 м.

## Стари и повредени хладилници

- Ако старият ви хладилник има блокировка или ключалка, отстранете я, тъй като децата могат да се заключат от вътрешната страна и да причинят инцидент.
- Старите хладилници и фризери съдържат изолационен материал и хладилен агент с CFC. Ето защо се погрижете да не увреждате околната среда, когато изхвърляте своя стар хладилник.



Моля питайте общинските власти относно изхвърлянето на WEEE за целите на повторна употреба, рециклиране или възстановяване.

### Забележки:

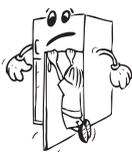
- Моля, прочетете внимателно инструкциите преди да монтирате или използвате уреда. **Не носим отговорност за щети, причинени от неправилна употреба.**
- Следвайте всички инструкции на върху уреда и наръчника с инструкции, и съхранявайте този наръчник на сигурно място, за да отстраните проблеми, които може да възникнат в бъдеще.
- Този уред е произведен за домашна употреба и може да бъде използван само на закрито и за специфични цели. Той не е подходящ за търговска или обща употреба. Такава употреба ще доведе до отмяна на гаранцията на уреда, а нашата компания няма да бъде отговорна за настъпили загуби.
- Този уред е произведен за ползване в домакинства и е подходящ само за охлаждане / съхраняване на храни. Той не е подходящ за търговска или обща употреба / или за съхраняване на субстанции, различни от храна. Нашата компания не е отговорна за загуби, настъпили вследствие на обратния случай.

### Предупреждения относно безопасността

- Не използвайте разклонители или удължители.
- Не включвайте повредени, износени или стари щепсели.
- Не дърпайте, огъвайте или повреждайте кабела.



- Този уред е предназначен за употреба от възрастни, не позволявайте на деца да си играят с уреда и не ги оставяйте да се увесват на вратата.
- Не включвайте и не изключвайте от контакта с мокри ръце, за да предотвратите електрически удар!
- Не поставяйте стъклени бутилки или контейнери с напитки във фризерното отделение. Бутилките и контейнерите може да експлодират.
- Не поставяйте експлозивни или възпламеними материали в хладилника, за да осигурите безопасността си. Поставяйте вертикално с плътно затворени запушалки бутилките и високоалкохолните напитки в отделението на фризера.
- Не трябва да използвате адаптер.

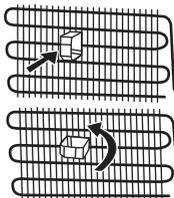


- Когато вземате лед от отделението за лед, не го докосвайте. Ледът може да причини изгаряния и/или срязвания.
- Не пипайте замразени продукти с мокри ръце! Не яжте сладолед и кубчета лед незабавно след като сте ги извадили от фризерното отделение!
- Продуктът е предназначен за свежи храни и напитки. Съхранявайте свежите храни и напитки за кратко време.
- Не съхранявайте замразени храни и не отделението за лед за замразяване на храни.
- Не замразявайте повторно замразени продукти, след като сте ги размразили. Това може да причини здравни проблеми като хранително отравяне.
- Не използвайте електрически устройства, спрейове за размразяване или остри предмети, като ножове или вилици, за изваждане на лед.
- Не покривайте корпуса или горната страна на хладилника с покривка. Това ще повлияе на характеристиките на хладилника.
- По време на транспорт, фиксирайте аксесоарите във хладилника, за да предотвратите повреждането им.

## Монтиране и експлоатация на хладилника

*Преди да започнете да използвате своя хладилник, вие трябва да обърнете внимание на следното:*

- Работното напрежение на хладилника е 220-240 V при 50Hz.
- Не носим отговорност за щети в следствие на използване на уреда без заземяване.
- Поставете хладилника на място, където няма да бъде изложен на директна слънчева светлина.
- Уредът трябва да бъде поне на 50 см от готварски печки, газови фурни и нагревателни уреди, и трябва да бъде поне на 5 см от електрически фурни.
- Хладилникът никога не трябва да бъде използван на открито или да бъде оставян под дъжда.
- Когато хладилникът бъде поставен до фризер за дълбоко замразяване, между тях трябва да има поне 2 см, за да се предотврати овлажняването на повърхностите им.
- Не поставяйте предмети върху хладилника и го монтирайте така, че да има разстояние от поне 15 см над горната му част.
- Регулируемите предни крака трябва да бъдат регулирани, за да се уверите, че уредът е нивелиран и стабилен. Можете да регулирате краката като ги завъртите по часовниковата стрелка (или в обратна посока). Това трябва да бъде направено преди поставянето на храна във хладилника.
- Преди да използвате хладилника, избършете всички части с разтвор на чаена лъжичка сода бикарбонат и топла вода, а след това измийте с чисто вода и подсушете. Поставете всички части след почистване.
- Монтирайте пластмасовият дистанционен водач (частта с черни пластини отзад) като го завъртите на 90°, както е показано на фигурата, за да предотвратите докосването на стената от кондензатора.



- Хладилникът трябва да бъде поставен срещу стена със свободно разстояние над 75 мм.

### **Преди да използвате хладилника**

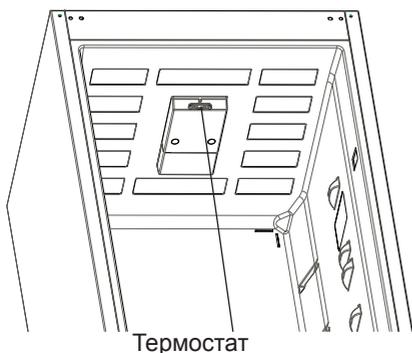
- Когато го пускате за първи път или след транспортиране, поддържайте хладилника в изправено положение за 3 часа, а след това го включете, за да осигурите ефективната му работа. В противен случай, вие може да повредите компресора.
- Хладилникът може да излъчва миризма, когато бъде включен за първи път; миризмата ще изчезне след като той започне да охлажда.



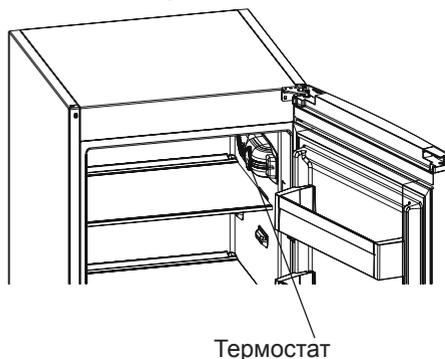
## РАЗДЕЛ -2 РАЗЛИЧНИ ФУНКЦИИ И ВЪЗМОЖНОСТИ

### Температурни настройки

Когато осветлението и термостатът са поставени отгоре



Когато осветлението и термостатът са поставени отстрани



Термостата регулира автоматично вътрешната температура на хладилната и фризерната част. Чрез въртене на ключа от позиция MIN "1" към позиция MAX "5"., могат да се постигнат по-студени температури.

#### **Настройка на термостата за хладилника и фризера;**

1 – 2 : За краткотрайно съхранение на храна в отделението на фризера можете да поставите между минимално и средно положение.

3 – 4 : За дългосрочно съхранение на храна във фризера, поставете регулатора в средно положение.

5 : За замразяване на прясна храна. Уредът ще работи по-дълго. Така че, след като се достигне ниска температура трябва да върнете регулатора в предишното положение.

**Отбележете че;** стайната температура, температурата на прясно съхранените продукти и колко често е отворена вратата оказват влияние на температурата в хладилната част. Ако се наложи, сменете настройката на температурата.

#### **Предупреждения относно температурните настройки**

- Външната температура, температурата на поставената наскоро храната и честотата на отваряне на вратата са фактори, които влияят върху температурата на хладилното отделение. В случай на необходимост променете температурната настройка.
- Препоръчително е при външни температури, по-ниски от 10°C да не се работи с хладилника.
- Настройката на термостата трябва да бъде зададена, като се вземе под внимание колко често се поставя прясна храна, колко често се отварят вратите, колко храна се съхранява, както и заобикалящата среда и позиционирането на уреда.
- Препоръчваме при първоначалното включване на хладилника с фризер да го оставите да работи в продължение на 24 часа без прекъсване, за да се гарантира, че е напълно охладен. През това време не отваряйте вратите на хладилника и не поставяйте храна в него.

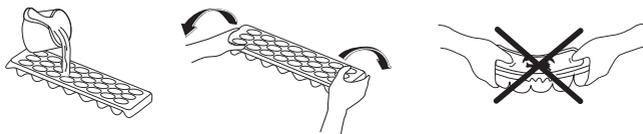
- Функцията за 5 минутно закъснение се прилага за предотвратяване на повреди в компресора на хладилника, когато извадите щепсела и го включите отново или при прекъсване на захранването. Вашият хладилник ще започне нормална работа след 5 минути.
- Хладилникът е предвиден за работа при външни температури, в съответствие със стандартите на климатичния клас, посочен върху информационния етикет. От гледна точка на оптимална ефективност на охлаждане не се препоръчва работа на уреда при външна температура извън посочения диапазон.
- Този уред е предназначен за употреба при външни температури между 16°C - 38°C.

Климатичен клас	Околна
<b>T</b>	16 до 43 °C
<b>ST</b>	16 до 38 °C
<b>N</b>	16 до 32 °C
<b>SN</b>	10 до 32 °C

## Акcesoари

### Табла за лед

- Напълнете таблата за лед с вода и поставете във фризерната част.
- След пълното образуване на леда можете да извъртите таблата по показания по-долу начин, за получаване на ледените кубчета.



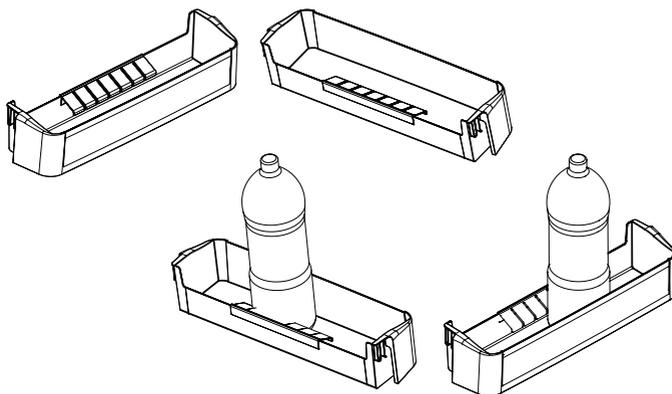
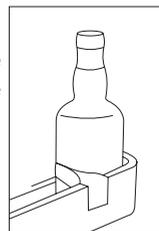
### Пластмасова стъргалка

След определен период от време по някои части на фризерното отделение се образува лед. Ледът, образуван се във фризерното отделение, трябва периодично да се отстранява. Ако е необходимо, използвайте включената в доставката пластмасова стъргалка. Не използвайте остри метални предмети. Те могат да прободат охладителния кръг и да причинят непоправими щети на уреда.



### Държач на бутилки

За да се предотврати подхлъзваенето или падането на бутилките, може да използвате държача на бутилки. Може също така да предотвратите шума, който ще се получи като отваряте или затваряте вратата.



**Визуалните и текстови описания в раздела за акcesoари могат да се различават в зависимост от модела.**

## **РАЗДЕЛ -3 ПОСТАВЯНЕ НА ХРАНИ**

### **Хладилна камера**

- За да намалите влагата и съответното увеличаване на лед, никога не слагайте течности в незатворени съдове в хладилника. Ледът се концентрира в най-студените части на изпарителя и ще изисква по-често размразяване.
- Никога не оставяйте гореща храна в хладилника. Горещата храна трябва да се остави на стайна температура и трябва да се сложи така, че да се осигури адекватна въздушна циркулация в хладилната камера..
- Нищо не трябва да се допира до задната част на хладилника, защото това ще предизвика образуването на лед и пакетите могат да залепнат. Не отваряйте вратата прекалено често.
- Аранжирайте месото и почистената риба (сложени в плик или пластмасови кутии) и ги употребете до 1-2 дни.
- Можете да слагате плодове и зеленчуци в чекмеджето, без да ги пакетирате.

<b>Храна</b>	<b>Продължителност на съхранение:</b>	<b>Място на поставяне в охлаждащото отделение</b>
Плодове и зеленчуци	1 седмица	В отделението за зеленчуци (без да ги увивате в нещо)
Риба и месо	2 – 3 дни	Покрити с полиетиленово фолио или торбичка или в кутия за месо (върху стъклената полица)
Свежо сирене	3 – 4 дни	На специалната полица на вратата
Масло и маргарин	1 седмица	На специалната полица на вратата
Бутилирани продукти, прясно и кисело мляко	Срокът, препоръчан от производителя	На специалната полица на вратата
Яйца	1 месец	На полицата с поставка за яйца
Готвени ястия		На всяка полица

### **Фризерна камера**

- Употребата на фризера е съхраняване на дълбоко-замразена или замразена храна за дълъг период от време и за правене на кубчета лед.
- Не слагайте свежа ли гореща храна във фризера. Използвайте само за съхраняване на замразена храна.
- Не слагайте прясна и гореща храна до замразената, защото това може да размрази замразената храна.
- Когато замразявате прясна храна (в т.ч. месо, риба и кайма), разделете ги на части, за да ги използвате наведнъж.
- За съхраняване на замразена храна - инструкциите, написани на пакетите със замразена храна трябва винаги да се следват внимателно, а ако няма такива, храната не трябва да се съхранява повече от 3 месеца от датата на покупката.

- Когато купувате замразена храна убедете се, че тя е била замразена при подходяща температура и че пакетът не е скъсан.
- Замразената храна трябва да бъде транспортирана в подходящи контейнери, за да поддържате качеството на храната и трябва да се върне до замразителни повърхности на уреда в най-кратко време.
- Ако пакет замразена храна показва влага и непривичена изпъкналост, това е може би защото е бил преди това съхраняван при неправилна температура и съдържанието му е развалено.
- Срокът на съхраняване на замразена храна зависи от стайната температура, регулирането на термостата, честотата на отваряне на вратата, типа храна и времетраенето на транспорта на продукта от магазина до Вашия дом. Винаги следвайте инструкциите, написани на пакета и никога не превишавайте срока на съхранение.
- Използвайте рафта за бързото замразяване, за да замразите домашно приготвена храна (и такава, която искате да замразите) по-бързо, заради по-голямата мощност на фризерната камера. Рафтовете за бързо замразяване се намират в средата на фризерната камера.

Риба и месо	Подготовка	Продължителност на съхранение (месеци)	Време за размразяване на стайна температура (часове)
Говежди пържоли	Пакетирани за замразяване на подходящи порции	6-10	1-2
Агнешко месо	Пакетирани за замразяване на подходящи порции	6-8	1-2
Печено телешко	Пакетирани за замразяване на подходящи порции	6-10	1-2
Телешко на късове	На малки парчета	6-10	1-2
Овче на късове	На малки парчета	4-8	2-3
Кайма	На подходящи порции, пакетирана, без да е подправена	1-3	2-3
Карантия (парче)	На малки парчета	1-3	1-2
Наденица / Салам	Трябва да се опаковат, дори да имат обвивка	1-2	До размразяване
Пилешко и пуешко	Пакетирани за замразяване на подходящи порции	7-8	10-12
Гъше / Патешко	Пакетирани за замразяване на подходящи порции	4-8	10
Еленско – заешко – глиганско	На порции от 2,5 кг, без кости	9-12	10-12
Сладководни риби (пъстърва, шаран, щука, морска котка)	Трябва да ги измиете и подсушите, след като добре сте почистили вътрешността и люспите им. Отрежете излишните части на опашката и главата.	2	Докато се размрази добре
Постна риба (морски костур, калкан, морски език)		4-8	
Мазна риба (паламуд, скумрия, лефер, аншоа)		2-4	

Риба и месо	Подготовка	Продължителност на съхранение (месеци)	Време за размразяване на стайна температура (часове)
Ракообразни	Почистени и поставени в торбички	4-6	Докато се размрази добре
Хайвер	В опаковката на производителя, поставена в алуминиева или пластмасова кутия	2-3	Докато се размрази добре
Охлюви	В солена вода в алуминиева или пластмасова кутия	3	Докато се размрази добре

**Забележка:** Замразени храни, след пълно размразяване, трябва да бъдат готвени така, както и ако са пресни. Ако не бъдат сготвени след размразяване, НЕ ТРЯБВА да се замразяват отново.

Плодове и зеленчуци	Подготовка	Продължителност на съхранение (месеци)	Време за размразяване на стайна температура (часове)
Цвекло	Отстранете листата, разделете сърцевината на части и я оставете във вода с малко изстискан лимон	10-12	Може да се използва в замразен вид
Зелен боб	Измийте и нарежете на дребно	10-13	Може да се използва в замразен вид
Грах	Почистете и измийте	12	Може да се използва в замразен вид
Гъби и аспержи	Измийте и нарежете на дребно	6-9	Може да се използва в замразен вид
Зеле	Почистено	6-8	2
Патладжан	Измийте и нарежете на парчета по 2 см	10-12	Отделете парчетата едно от друго
Царевица	Почистете и я опаковайте заедно с кочана или на зърна	12	Може да се използва в замразен вид

Плодове и зеленчуци	Подготовка	Продължителност на съхранение (месеци)	Време за размразяване на стайна температура (часове)
Морков	Почистете и нарежете на кръгчета	12	Може да се използва в замразен вид
Пипер	Отстранете дръжката, разделете на две и извадете семената	8-10	Може да се използва в замразен вид
Спанак	Измит	6-9	2
Ябълки и круши	Обелете кората и нарежете	8-10	(Във фризера) 5
Кайсии и праскови	Разделете на две и извадете костилката	4-6	(Във фризера) 4
Ягоди и малини	Измийте почистете	8-12	2
Готвени плодове	В кутия, като прибавите 10% захар	12	4
Сливи, череши, вишни	Измийте и отстранете дръжките	8-12	5-7

	Продължителност на съхранение (месеци)	Време за размразяване на стайна температура (часове)	Време за размразяване във фурната (минути)
Хляб	4-6	2-3	4-5 (220-225 °C)
Бисквити	3-6	1-1,5	5-8 (190-200 °C)
Пай	1-3	2-3	5-10 (200-225 °C)
Сладкиш с плодове	1-1,5	3-4	5-8 (190-200 °C)
Сладкиши от многолистно тесто	2-3	1-1,5	5-8 (190-200 °C)
Пица	2-3	2-4	15-20 (200 °C)

## РАЗДЕЛ -4 ПОЧИСТВАНЕ И ПОДДРЪЖКА

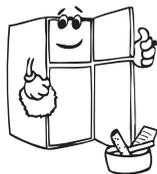
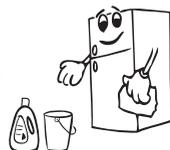
- Преди почистване изключете уреда от захранването.



- Не почиствайте уреда чрез поливане с вода.



- Уверет се, че в корпуса на лампата и в другите електрически компоненти не влиза вода.



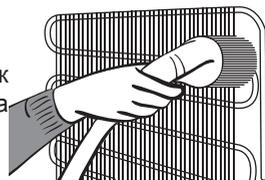
Хладилното отделение трябва да бъде почиствано периодично с помощта на разтвор от сода бикарбонат и хладка вода.



- Почистете отделно и аксесоарите със сапун и вода. Не ги почиствайте в съдомиялна машина.
- Не използвайте абразивни продукти, разтворители или сапуни. След измиване, изплакнете с чиста вода и изсушете внимателно. След като почистването приключи, свържете щепсела отново със сухи ръце.

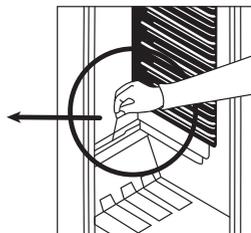
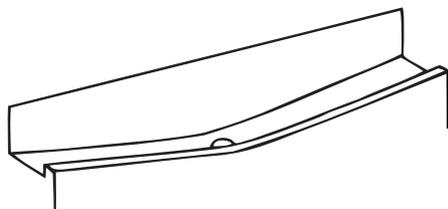


- Трябва да почистите кондензатора с метла поне веднъж на година с оглед спестяване на енергия и повишаване на продуктивността.



## Размразяване

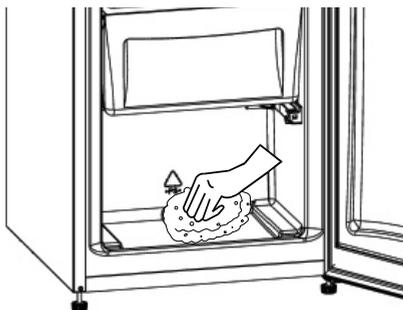
### Хладилна част



- В хладилната част размразяването става автоматично по време на работа на уреда; размразената вода се събира от изпарителната табла и се изпарява автоматично.
- Изпарителната табла и отвора за оттичане на размразената вода трябва да бъдат почиствани периодично със запушалка за оттичания отвор, с оглед на предотвратяването на събиране на вода на дъното на хладилника вместо оттичането ѝ.
- Можете да изсипете 1/2 чаша вода в отвора за оттичане, за да почистите отвътре.

### Размразяване на фризерната камера

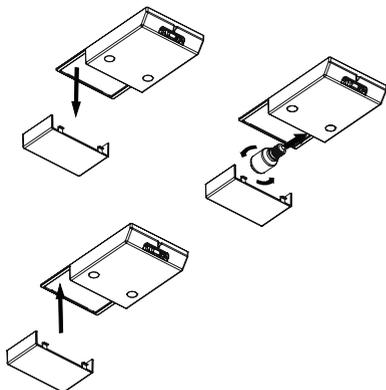
- Ледът, който покрива рафтовете на фризерната камера, трябва да се маха периодично.
- Не използвайте остри метални предмети за тази операция. Те могат да повредят непоправимо хладилника. Използвайте специалното пластмасово приспособление.
- Когато има повече от 5 мм лед на рафтовете, размразяването трябва да е приключило.
- Преди размразяването, сложете замразената храна на студено място, след като я увиете във вестници, за да поддържате постоянна температура дълго време.
- За да ускорите процеса на размразяване, сложете един или повече съдове с гореща вода във фризерната камера.
- Подсушете вътрешността на камерата с гъба или чиста кърпа.
- След като уредът е бил размразен сложете храната във фризера и не забравяйте да я консумирате скоро.



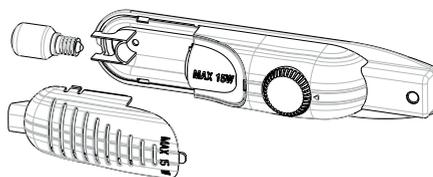
## Смяна на крушката в хладилника

1. Издърпайте щепсела от контакта,
2. Махнете капака (А), последством натискане на двете кукички, разположени от двете страни на капака.
3. Сменете изгорялата крушка (В) с нова (не повече от 15 W).
4. Сложете капака на неговото място и включете уреда.

Когато осветлението са поставени отгоре



Когато осветлението са поставени отстрани



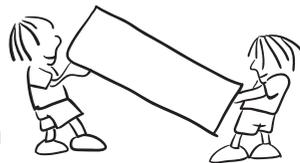
## Подмяна на LED осветление

Ако вашият хладилник има LED осветление, свържете се центъра за съдействие, тъй като това трябва да се извърши само от оторизиран персонал.

## РАЗДЕЛ -5 ТРАНСПОРТИРАНЕ И СМЯНА НА МЕСТОПОЛОЖЕНИЕТО

### Транспортиране и смяна на местоположението

- Оригиналната опаковка и полистиреновите уплътнения (PS) могат да бъдат скрити, ако желаете.
- При транспорт, уредът трябва да бъде вързан с широк ремък или здраво въже. Изискванията, дадени върху опаковъчната кутия, трябва да се спазват при транспорт.
- Преди транспорт или промяна на монтажното място, всички подвижни компоненти (напр. лавици, кошове, ваничка и др.) трябва да бъдат извадени, или фиксирани с тиксо, за да се избегне движението им.



### Смяна на посоката на отваряне на вратата

- Не е възможно да промените посоката на отваряне на вратата, ако дръжките са монтирани от външната ѝ лицева страна.
- Смяна посоката на отваряне на вратата е възможно само при модели без външни дръжки.
- Ако посоката на отваряне на вратата на хладилника ви може да се промени, трябва да се свържете с най-близкия упълномощен сервизен център, за да извърши промяната.

## **РАЗДЕЛ -6 ПРЕДИ ДА СЕ ОБАДИТЕ НА ОТДЕЛА ЗА СЕРВИЗ СЛЕД ПРОДАЖБАТА**

Ако Вашият хладилник не работи нормално, това може да се дължи на незначителен проблем. Ето защо първо проверете следните неща преди да извикате техник:

**Какво да правите, ако хладилника не работи;**

**Проверете следното ;**

- Няма ел.захранване,
- Термостата е в позиция « • » ,
- Ел.контакта не работи. За да проверите това, включете друг уред, за който знаете че работи в същия контакт.

**Какво да правите ако хладилника не работи добре;**

**Проверете следното;**

- Не сте пренапълнили хладилника,
- Вратите са затворени перфектно,
- Няма прах на кондензатора,
- Има достатъчно място около уреда.

**Ако има шум ;**

Изстудяващият газ, който циркулира в хладилника може да шуми леко (бълбукане) дори, когато компресора не работи. Не се тревожете тъй като това е нормален ефект. Ако тези шумове са различни проверете следното;

- Уреда е добре нивелиран
- Нищо не докосва гърба на уреда.
- Продуктите в уреда вибрират.

**Ако има вода в долната част на хладилника, проверете следното;**

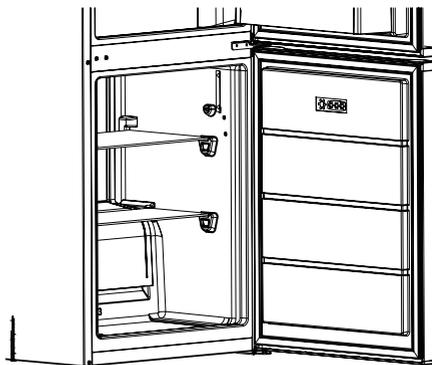
Отвора за оттичане на размразената вода не е запушен (Почистете отвора за оттичане)

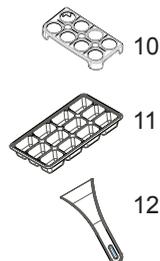
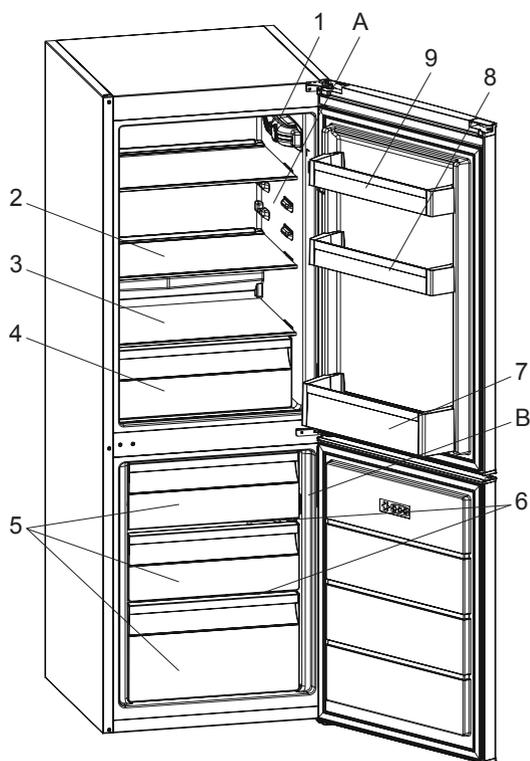
**Препоръки**

- С оглед увеличаване на мястото и подобряване на вида, « изстудяващата част »на този уред е позиционирана в гръбната стена на хладилната част. Когато уреда работи тази стена се покрива с лед или капчици вода, в зависимост от това дали компресора работи или не. Не се тревожете. Това е нормално. Уреда трябва да бъде размразяван само ако по стената се оформи твърде дебел пласт лед .
- Ако уреда не е използван дълго време (напр. през лятната ваканция) Размразете и почистете хладилника като оставите вратата отворена, за да предотвратите образуването на мушички и мирис.
- За да спрете уреда цялостно, изключете от основното ел.захранване (за почистване и когато вратите се оставят отворени)
- В случай на повреда на уреда, не се опитвайте да го поправите сами, а се обърнете към квалифициран техник от упълномощения сервиз. Поправките и опитите за поправки от лица, които не са квалифицирани техници от упълномощения сервиз, представляват опасност за живота, здравето и собствеността, а също водят до отпадане на гаранцията за уреда.

## Съвети за пестене на електроенергия

1. Монтирайте уреда в хладно и добре проветриво помещение, като същото не трябва да е изложено на директна слънчева светлина или да е разположено в близост до източници на топлина (радиатор, печка и т.н.). В противен случай използвайте изолационна плоча.
2. Оставете храната и напитките да се охладят извън уреда.
3. Когато размразявате замразена храна, поставете я в отделението на хладилника. Ниската температура на замразената храна ще помогне за охлаждането на отделението на хладилника, когато същата се размразява. По този начин се пести електроенергия. Ако замразената храна се остави отвън, това ще доведе до повишено потребление на електроенергия.
4. Напитките трябва да са затворени. В противен случай в уреда се образува влага. Това води и до увеличаване на времето за работа. Затворените напитки помагат да се запази тяхната миризма и вкус.
5. Когато поставяте храна и напитки, отваряйте вратата на уреда възможно най-малко.
6. Дръжте плътно затворени капачите на отделните чекмеджета с различна температура (чекмедже за плодове и зеленчуци и т.н.).
7. Уплътнението на вратата трябва да е чисто и гъвкаво. Сменете уплътнението, ако е повредено.
8. Енергийното потребление на вашия уред е декларирано без чекмеджета и при пълно зареждане във фризера.
9. За пестене на енергия, не използвайте обем между границата за зареждане и вратата, по линията за зареждане. Граничната линия за зареждане се използва и в декларацията за потребление на енергия.





Изображението е информативно и показва различните части и аксесоари в уреда.  
Някои от частите могат да се различават в зависимост от модела на уреда.

- A) Хладилна част
- B) Фризерна част

- 1) Термостатна кутия (Когато осветлението и термостатът са поставени отстрани)
- 2) Хладилен рафт
- 3) Вътрешни улеи
- 4) Кутия за зеленчуци
- 5) Фризер чекмедже
- 6) Фризер стъклена полица
- 7) Рафт за бутилки
- 8) Регулируем стелаж за вратата \* / Горен стелаж за вратата
- 9) Горен стелаж за вратата
- 10) Държач за яйца
- 11) Табла за лед
- 12) Шило за лед \*

\* при някои модели



In Ukrainian:

ТОВ «ВФД» 02140, м. Київ, вул. Єлизавети Чавдар будинок 5, (ЛІТЕРА А),  
Тел.: +38044 303 92 93

In English:

«VFD» LLC 02140, Kyiv, 5 Chavdar str, (letter A), Tel: +38044 303 92 93



52276477